

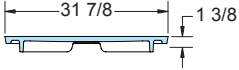
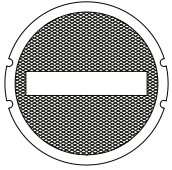


INDEX

MANHOLE COVER TYPES	1
NEW JERSEY	2
<i>MANHOLE RINGS AND COVERS</i>	3
<i>CATCH BASINS</i>	6
<i>CURB AND GUTTER</i>	10
<i>NJDOT INLETS SUMMARY</i>	12
NEW YORK	14
<i>MANHOLE RINGS AND COVERS</i>	15
<i>CATCH BASINS</i>	18
<i>CURB AND GUTTER</i>	20
NEW ENGLAND	24
<i>MANHOLE RINGS AND COVERS</i>	25
<i>CATCH BASINS</i>	28
VALVE BOXES	33
DETECTABLE WARNING PLATES	34
CROSS REFERENCES	35

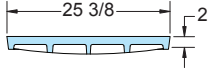
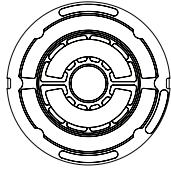
MANHOLE COVER TYPES

TYPE ER



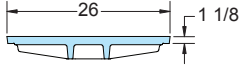
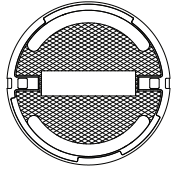
M306

TYPE FS



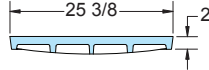
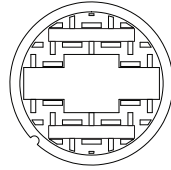
HEAVY DUTY

TYPE IC



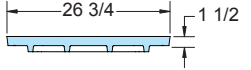
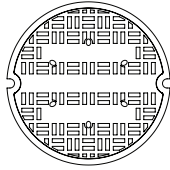
M306

TYPE IF



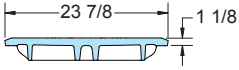
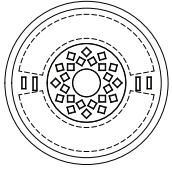
M306

TYPE II



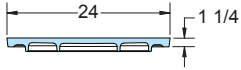
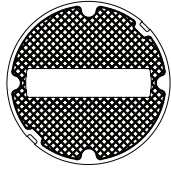
M306

TYPE IR



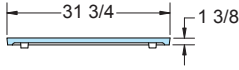
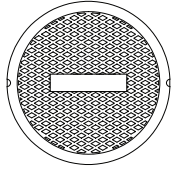
M306

TYPE IS



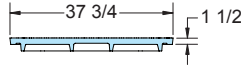
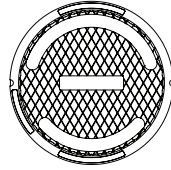
M306

TYPE KV



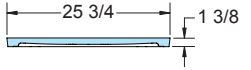
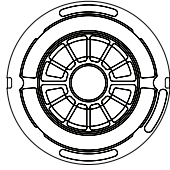
M306

TYPE Q



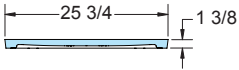
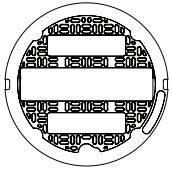
HEAVY DUTY

TYPE QY



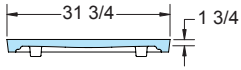
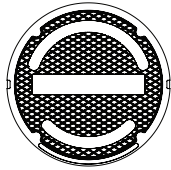
M306

TYPE QZ



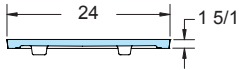
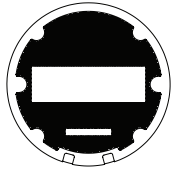
M306

TYPE RH



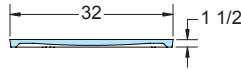
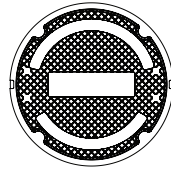
M306

TYPE RU



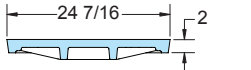
M306

TYPE RV



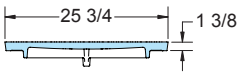
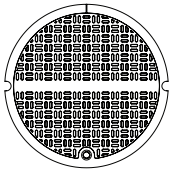
M306

TYPE RW



M306

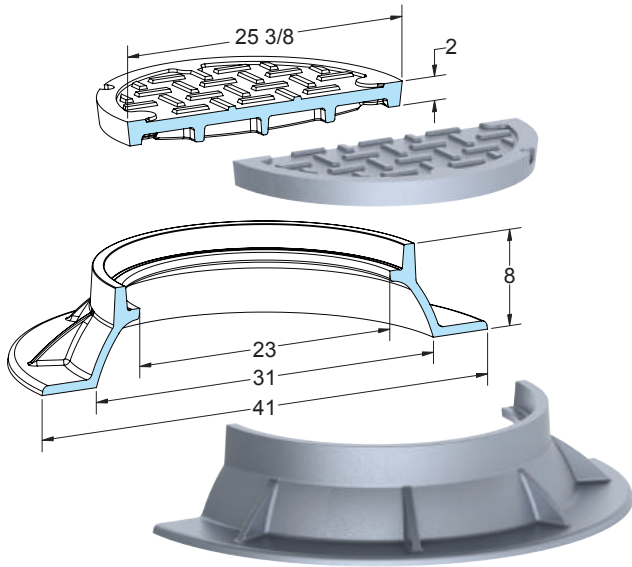
TYPE SR



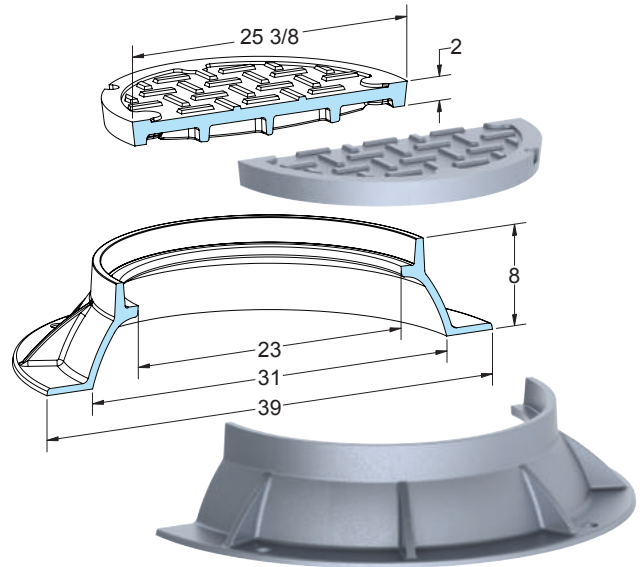
HEAVY DUTY

# **NEW JERSEY CASTINGS**

**USF 235 RING AND IF COVER**



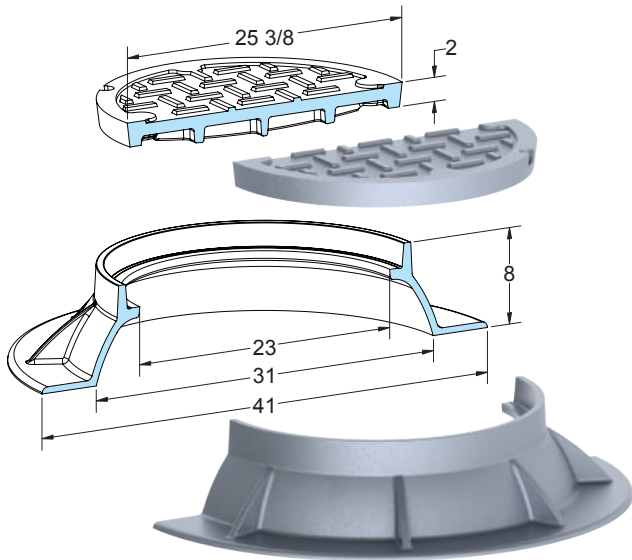
**USF 238 RING AND IF COVER**



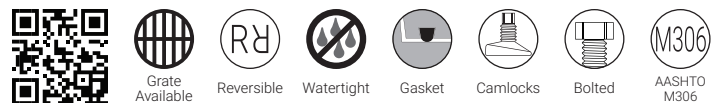
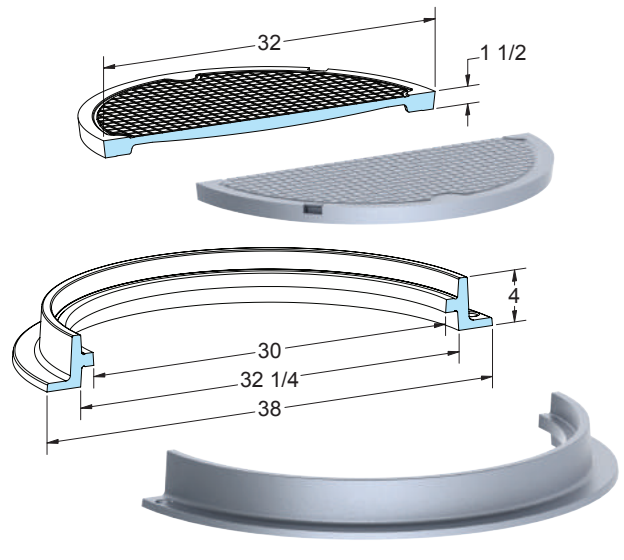
**NEW JERSEY DOT**



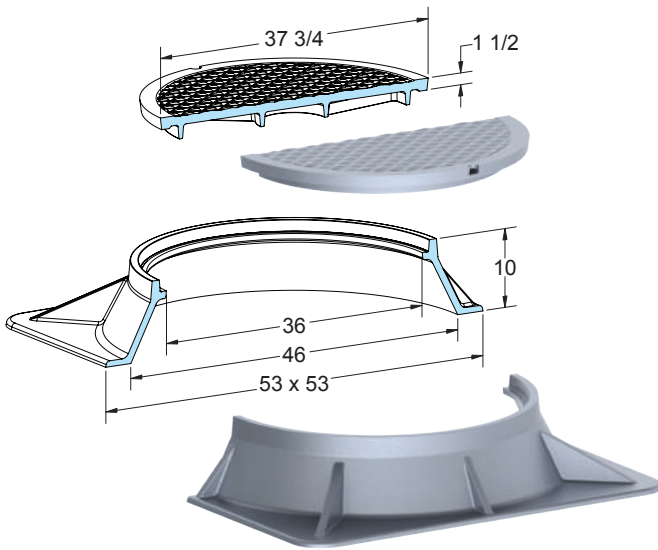
**USF 248 RING AND IF COVER**



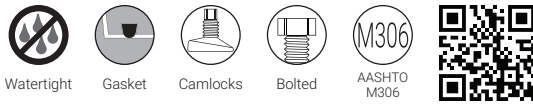
**USF 273/1273 RING AND RV COVER**



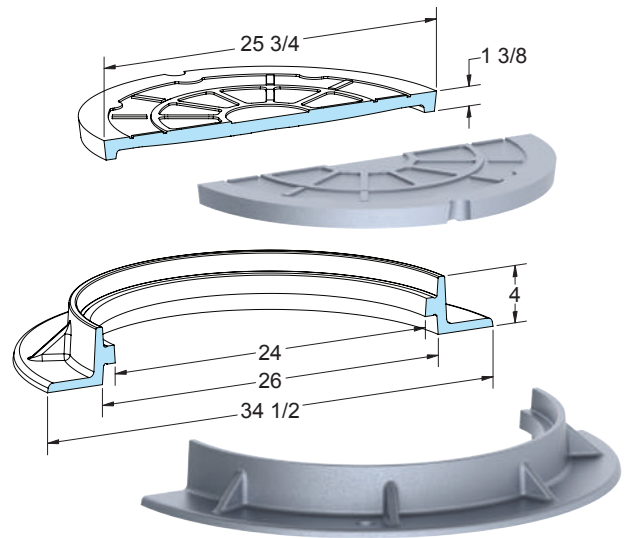
USF 300 RING AND Q COVER



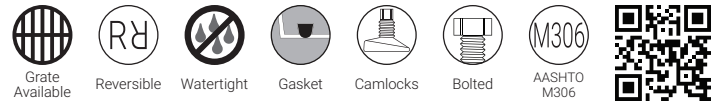
NEW JERSEY CONVERSION MANHOLE



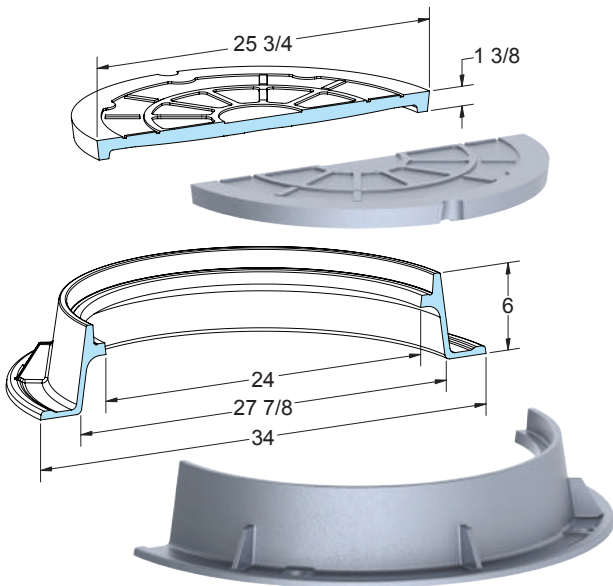
USF 344/1344 RING AND COVER SERIES



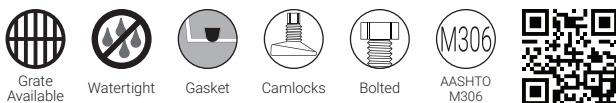
Cover Types: **QY, QZ**



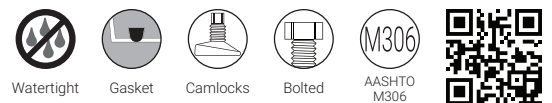
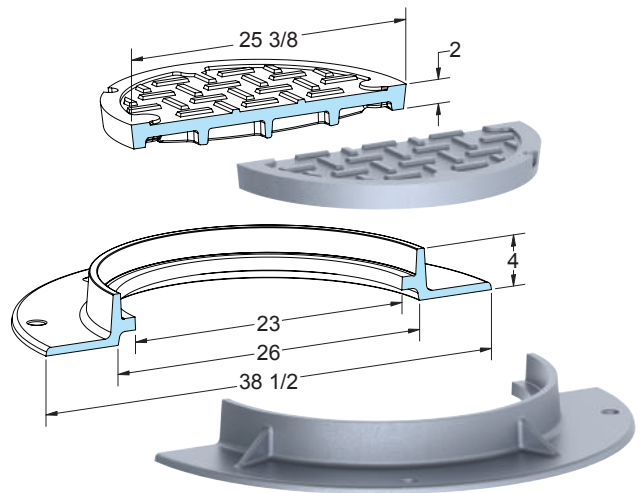
USF 346 RING AND COVER SERIES



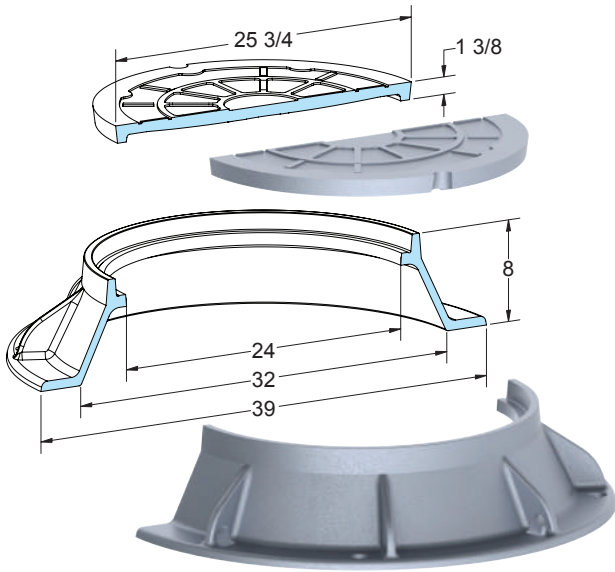
Cover Types: **QY, QZ, SR**



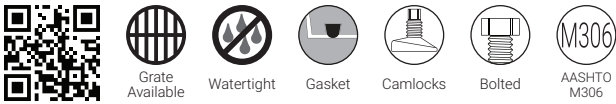
USF 384 RING AND IF COVER



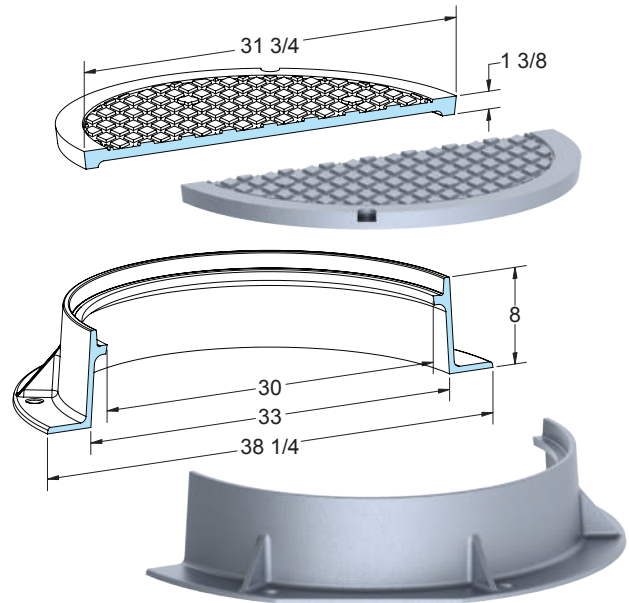
**USF 398 RING AND COVER SERIES**



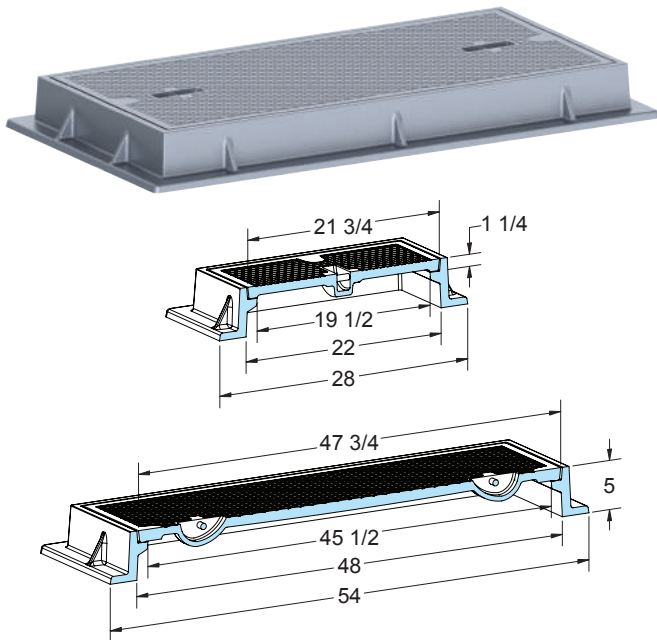
Cover Types: **QY, QZ, SR**



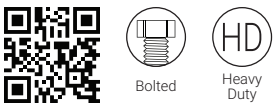
**USF 692 RING AND KV COVER**



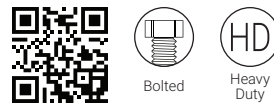
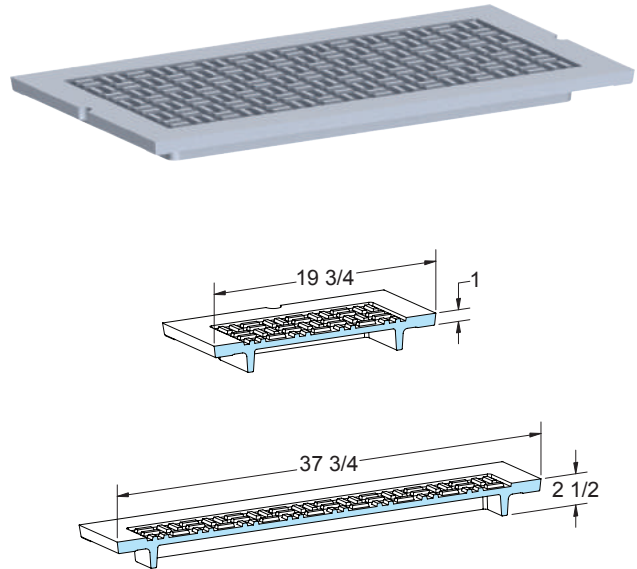
**USF 4196 FRAME AND SG COVER**



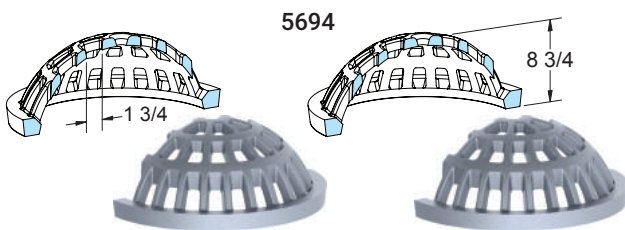
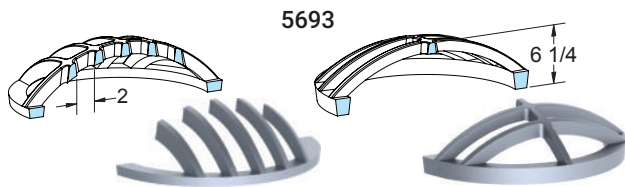
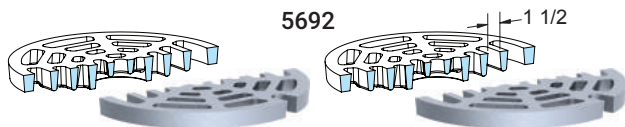
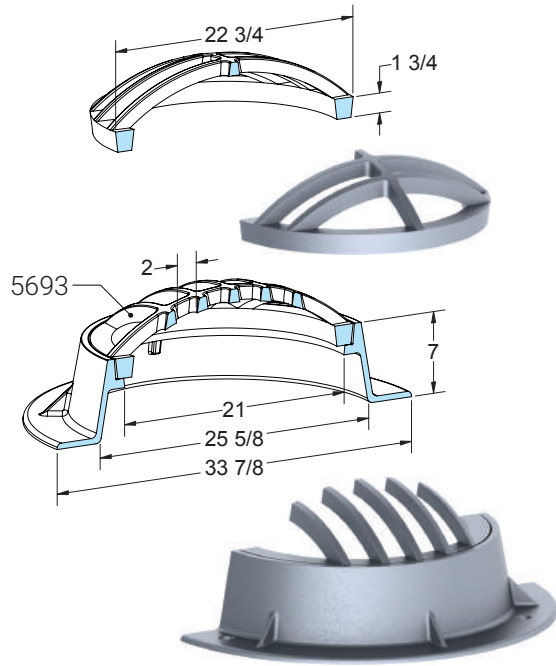
**NEW JERSEY DOT**



**USF KG COVER**



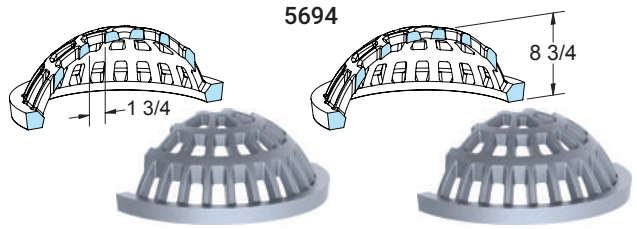
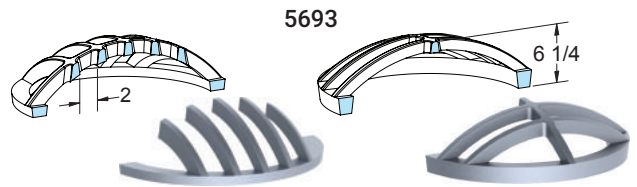
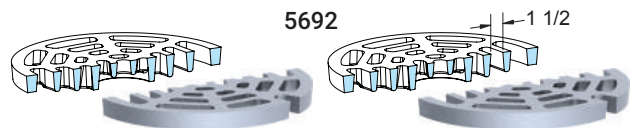
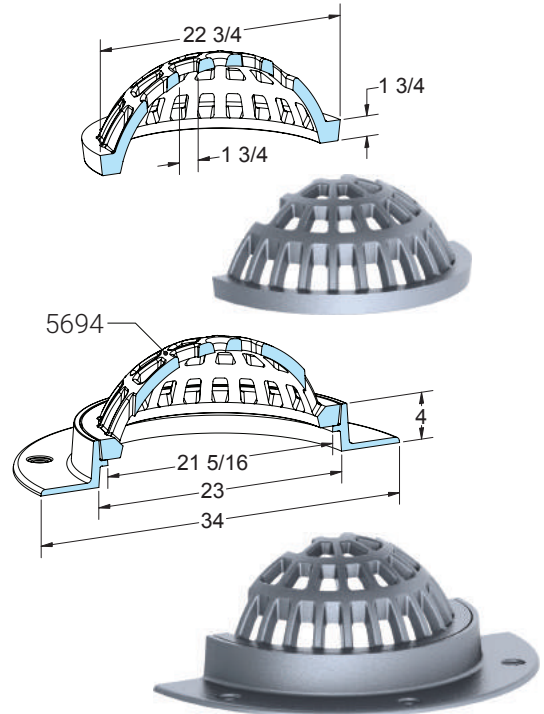
USF 193 RING AND GRATE SERIES



Grates: **5692**(FA=144in<sup>2</sup>)(Heavy Duty)  
**5693**(FA=211in<sup>2</sup>), **5694**(FA=149in<sup>2</sup>)



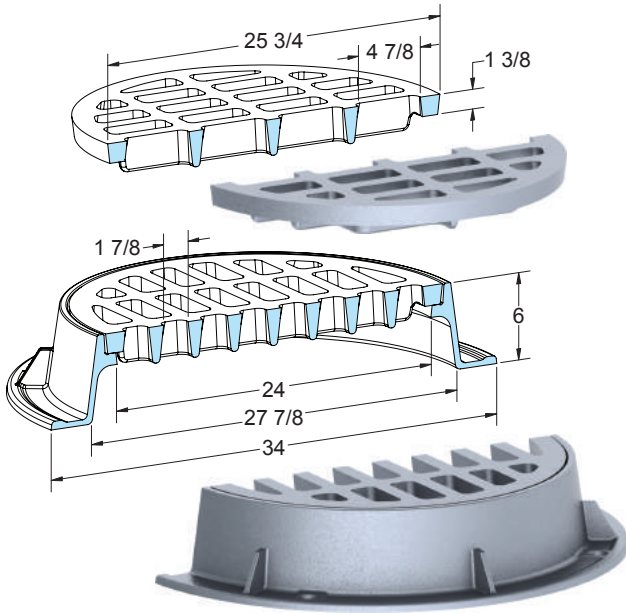
USF 234/1234 RING AND GRATE SERIES



Grates: **5692**(FA=144in<sup>2</sup>)(Heavy Duty)  
**5693**(FA=211in<sup>2</sup>), **5694**(FA=149in<sup>2</sup>)



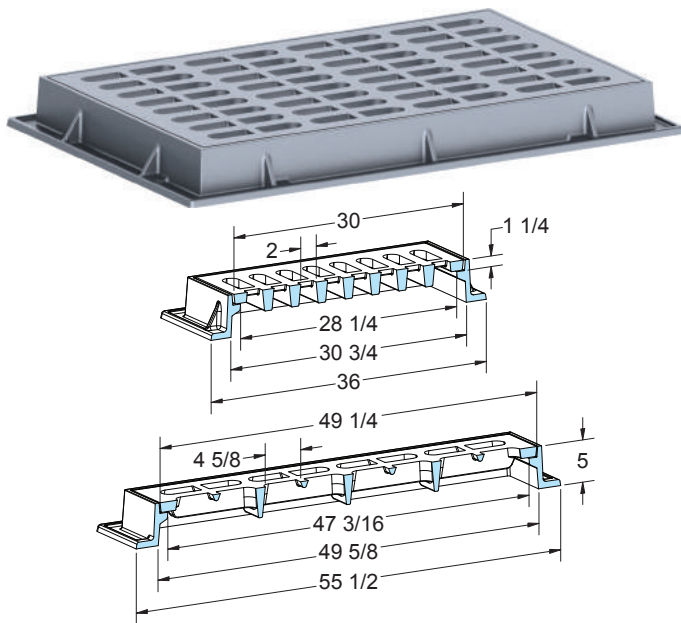
**USF 346 RING AND 5618 GRATE**



Grate: **5618**(FA=208in<sup>2</sup>)



**USF 4040 FRAME AND 6040 GRATE**

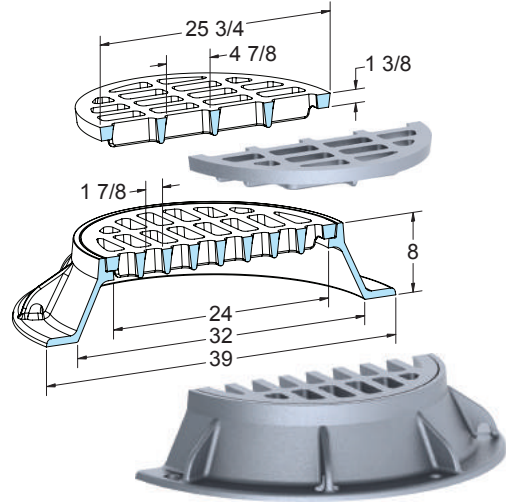


**NEW JERSEY DOT FAT A**

Grate: **6040**(FA=565in<sup>2</sup>)



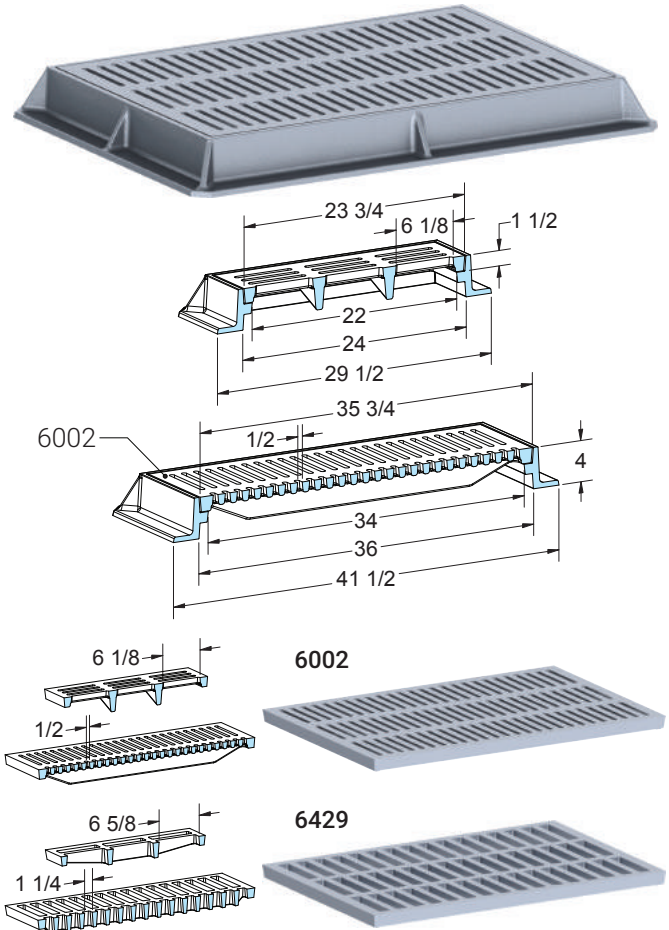
**USF 398 RING AND 5618 GRATE**



Grate: **5618**(FA=208in<sup>2</sup>)



**USF 4139 FRAME AND GRATE SERIES**

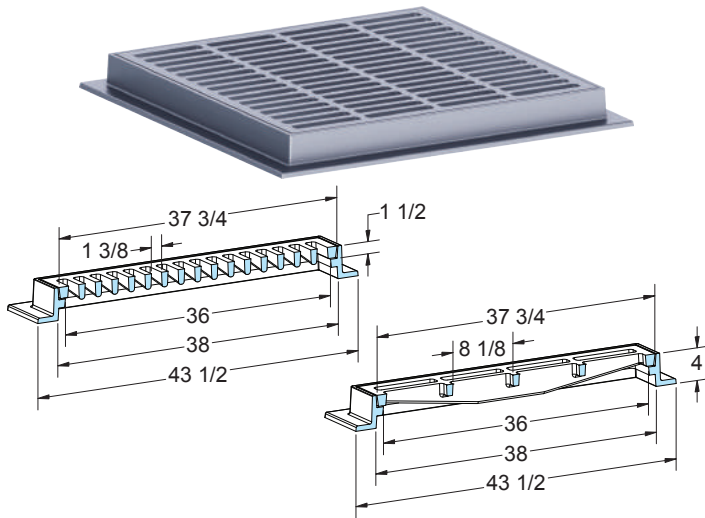


Grates: **6002**(FA=233in<sup>2</sup>), **6429**(FA=400in<sup>2</sup>)(Non ADA)

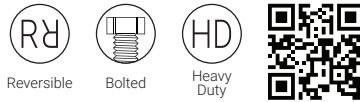




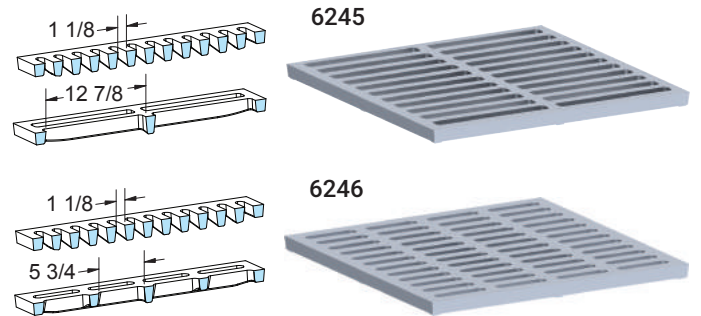
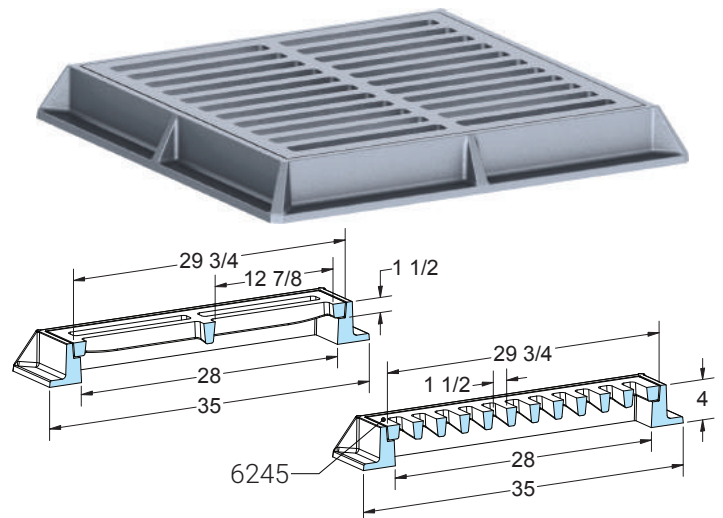
USF 4156/4660 FRAME AND 6241 GRATE



Grate: **6241**(FA=715in<sup>2</sup>)



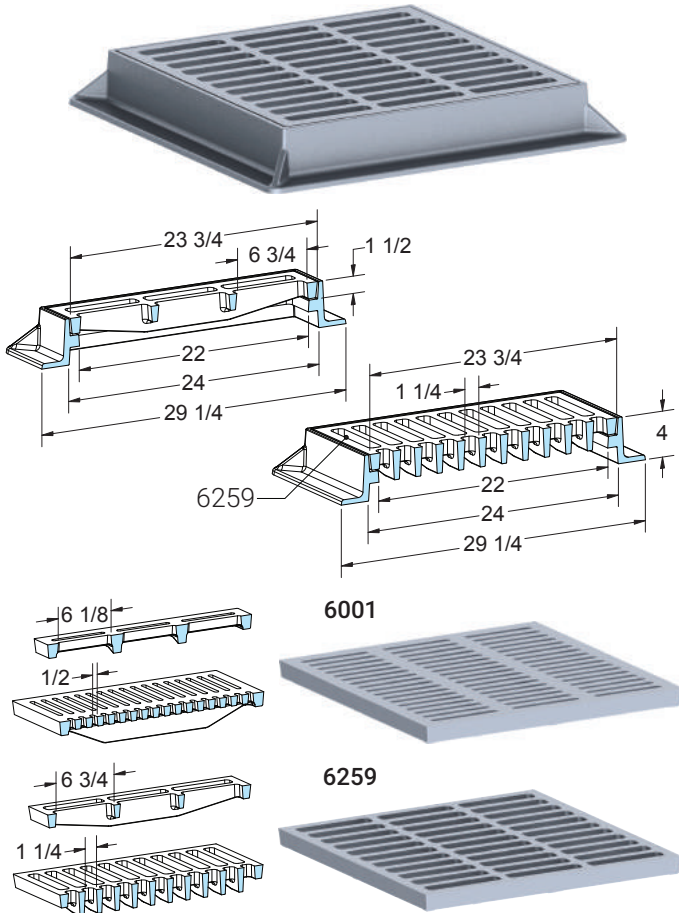
USF 4170 FRAME AND GRATE SERIES



Grates: **6245**(FA=375in<sup>2</sup>), **6246**(FA=320in<sup>2</sup>)



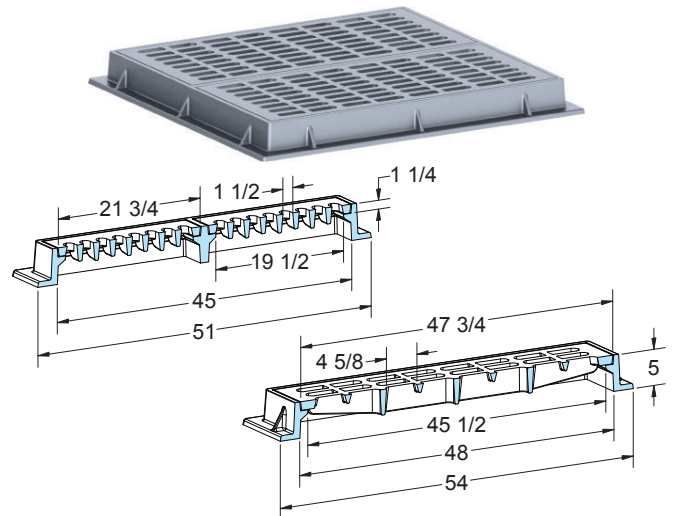
USF 4190 FRAME AND GRATE SERIES



Grates: **6001**(FA=153in<sup>2</sup>)(ADA Compliant), **6259**(FA=290in<sup>2</sup>)



USF 4195 FRAME AND 6352 GRATE

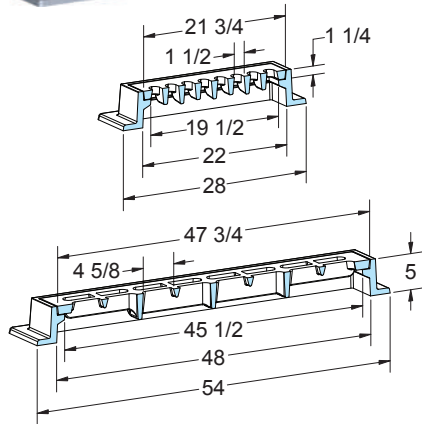
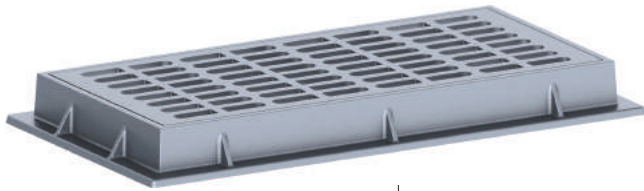


Grate: **6352**(FA=404in<sup>2</sup>)

NEW JERSEY DOT TYPE "E"



**USF 4196 FRAME AND 6352 GRATE**

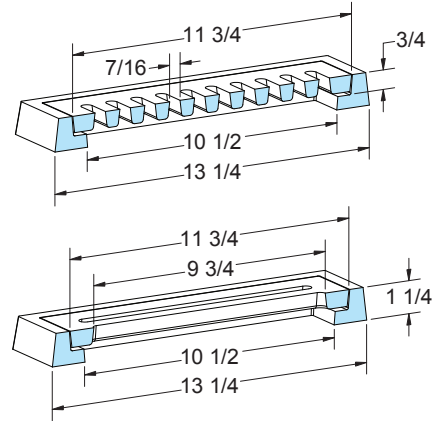


**NEW JERSEY DOT TYPE "A"**

Grate: **6352**(FA=404in<sup>2</sup>)



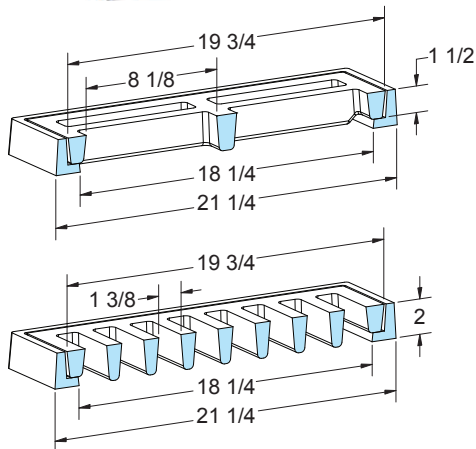
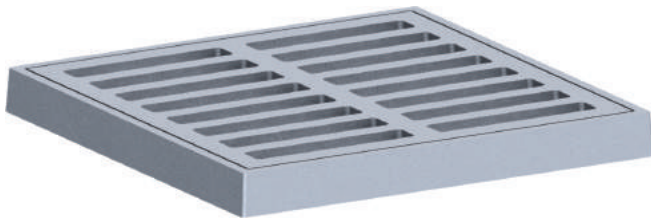
**USF 4600 FRAME AND 6110 GRATE**



Grates: **6110**(FA=45in<sup>2</sup>)



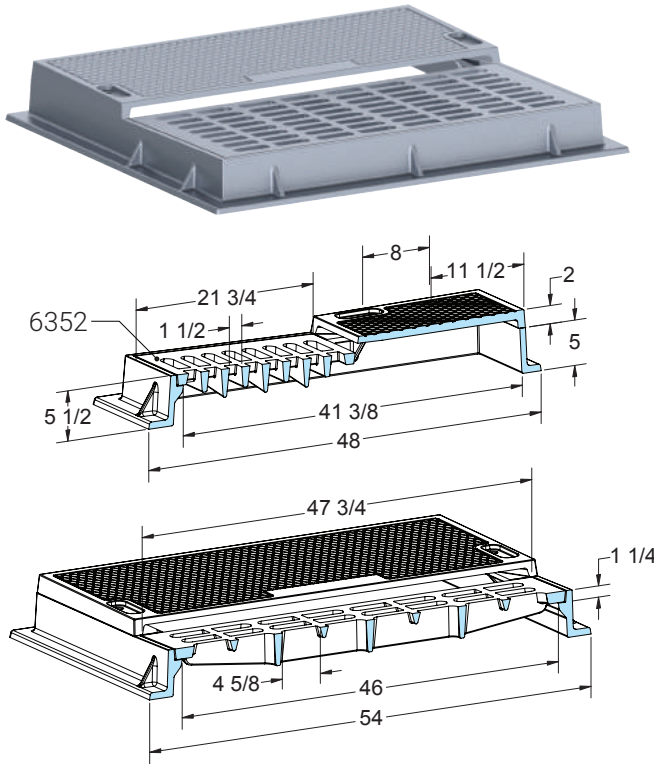
**USF 4673 FRAME AND 6373 GRATE**



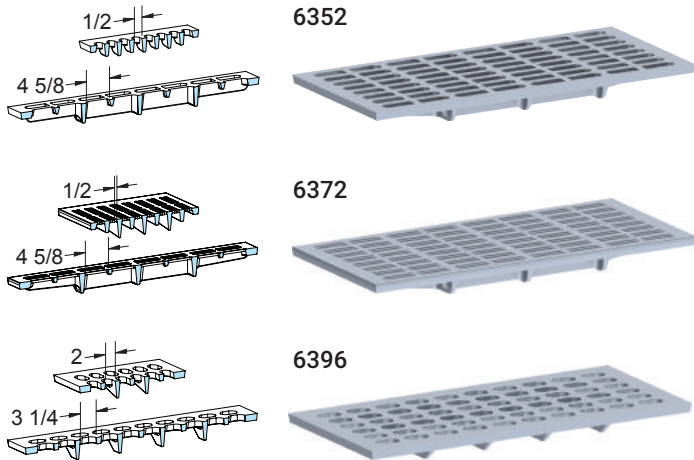
Grates: **6373**(FA=177in<sup>2</sup>)



**USF 5216 CURB AND GUTTER INLET FRAME, DRIVEWAY PLATE AND GRATE SERIES**



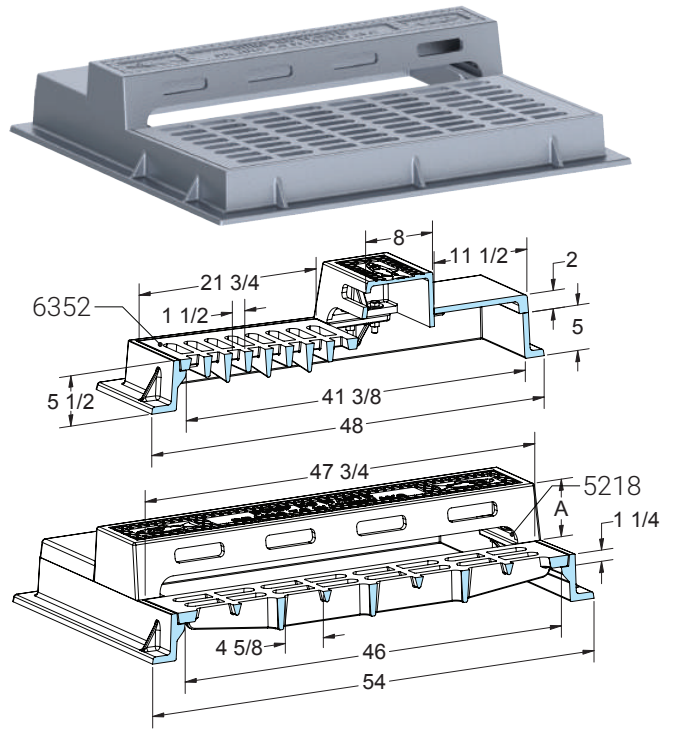
**NEW JERSEY DOT TYPE "B"**



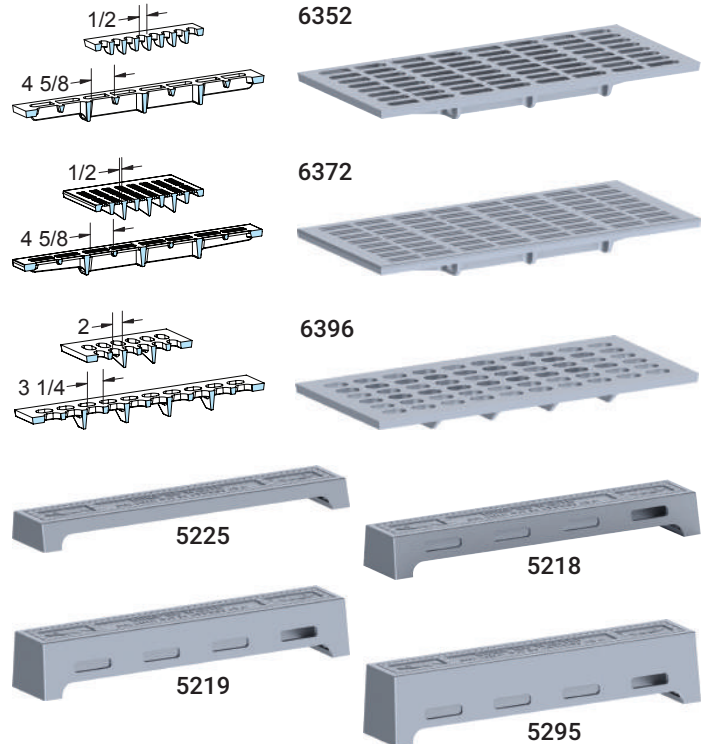
Grates: **6352**(FA=416in<sup>2</sup>), **6372**(ADA)(FA=209in<sup>2</sup>)  
**6396**(FA=339in<sup>2</sup>)



**USF 5220 CURB AND GUTTER INLET FRAME, HOODS AND GRATE SERIES**



**NEW JERSEY DOT TYPE "B"**

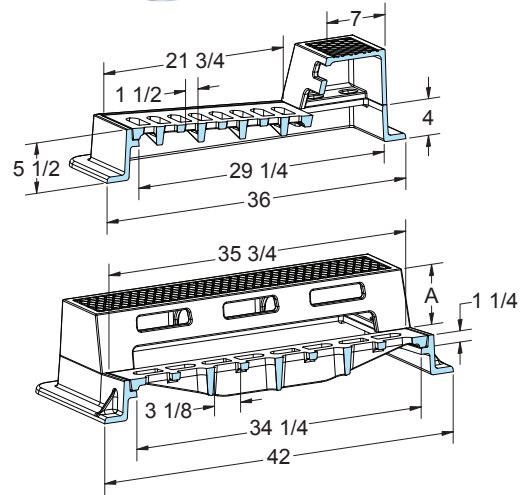
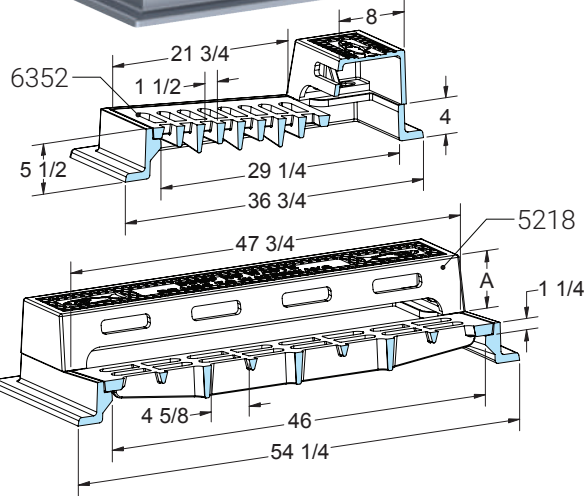
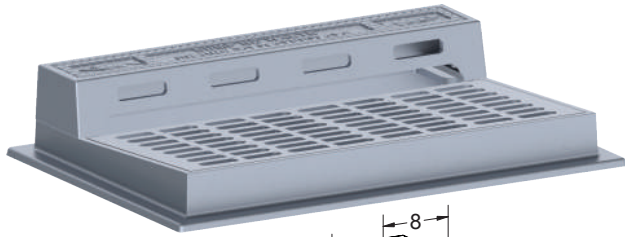


Grates: **6352**(FA=416in<sup>2</sup>), **6372**(FA=209in<sup>2</sup>), **6396**(FA=339in<sup>2</sup>)  
Hoods: **5225**(A=4), **5218**(A=6), **5219**(A=8), **5295**(A=10)

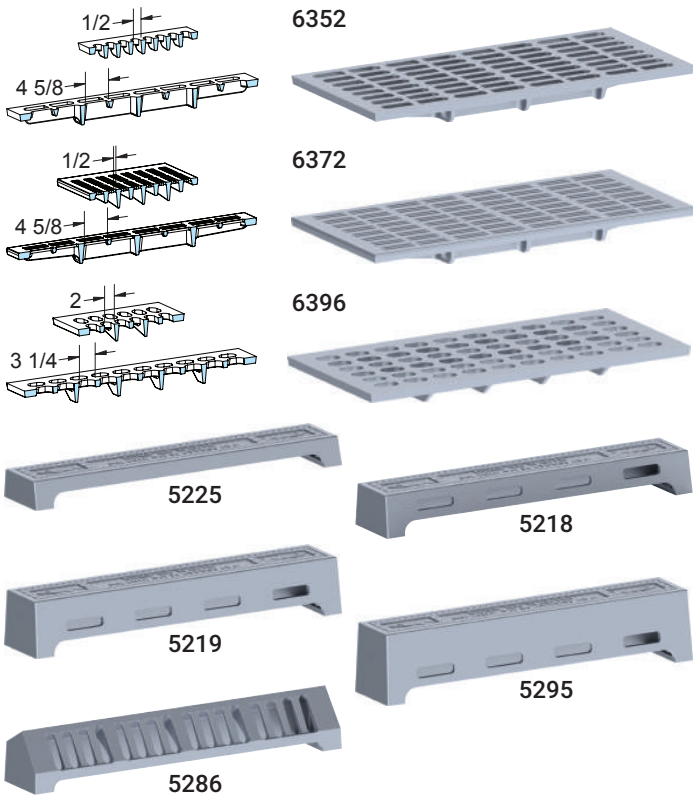


**USF 5236 CURB AND GUTTER FRAME, HOODS AND GRATE SERIES**

**USF 5242 CURB AND GUTTER INLET FRAME, HOODS AND 6357 GRATE**



**NEW JERSEY DOT TYPE "D"**



Grate: **6357**(FA=298in<sup>2</sup>)

Hoods: **5244**(A=6), **5255**(A=8)



Bolted



Heavy Duty

Grates: **6352**(FA=416in<sup>2</sup>), **6372**(FA=209in<sup>2</sup>), **6396**(FA=339in<sup>2</sup>)

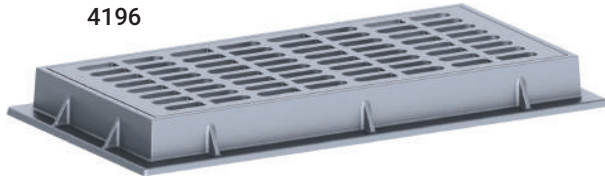
Hoods: **5225**(A=4), **5218**(A=6), **5219**(A=8), **5295**(A=10)

**5286**(A=8)(NJDOT TYPE "D1")



**NEW JERSEY DOT INLETS SUMMARY**

4196



*NEW JERSEY DOT TYPE "A"*

5220



*NEW JERSEY DOT TYPE "B" and "C"*

5236



*NEW JERSEY DOT TYPE "D"*

4195



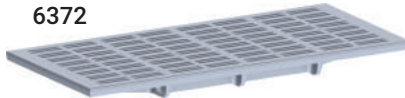
*NEW JERSEY DOT TYPE "E"*

**GRATE OPTIONS**

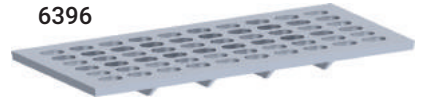
6352



6372



6396

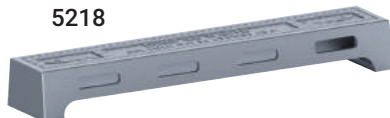


**HOOD OPTIONS**

5225



5218



5286



*NEW JERSEY DOT TYPE "D1"*

5219



5295



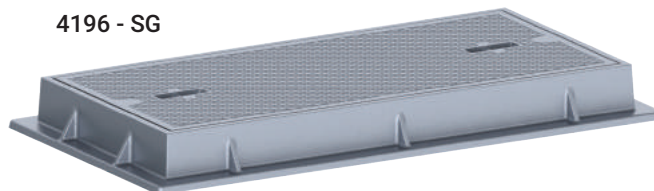
5256



*NEW JERSEY DOT TYPE "D2"*

**FRAME AND COVER**

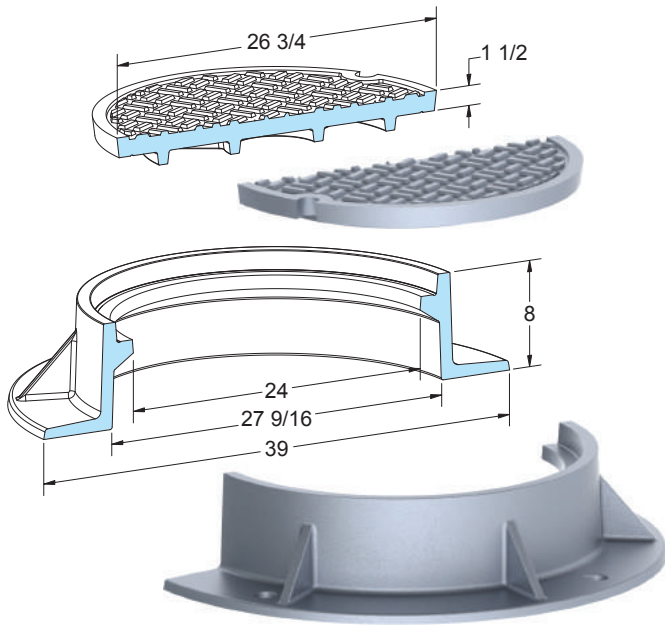
4196 - SG





# NEW YORK CASTINGS

**USF 107 RING AND II COVER**



*NEW YORK CITY*



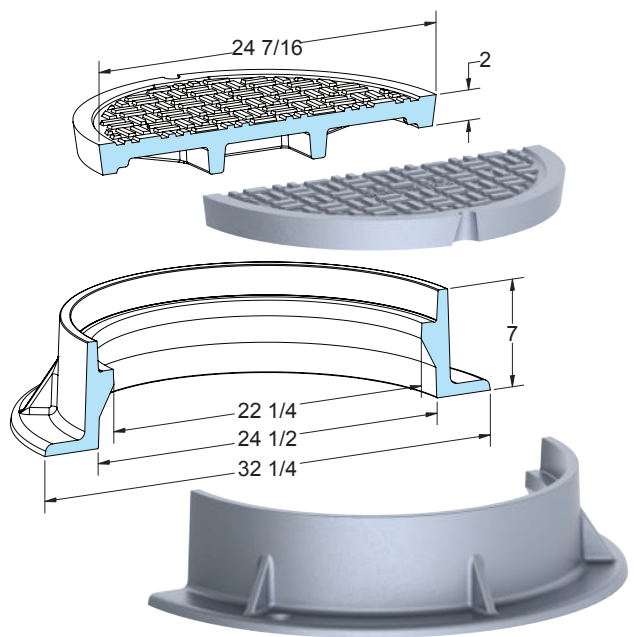
Watertight

Gasket

Bolted

AASHTO  
M306

**USF 264 RING AND RW COVER**



*NASSAU COUNTY  
LONG ISLAND, NEW YORK*



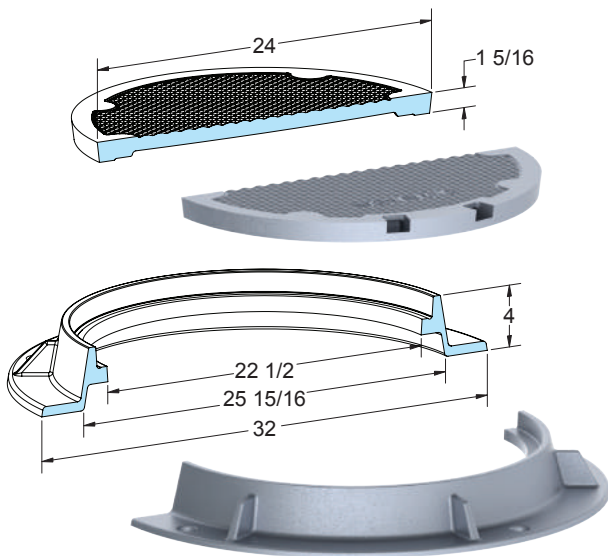
Watertight

Gasket

Bolted

AASHTO  
M306

**USF 266 RING AND RU COVER**



Watertight

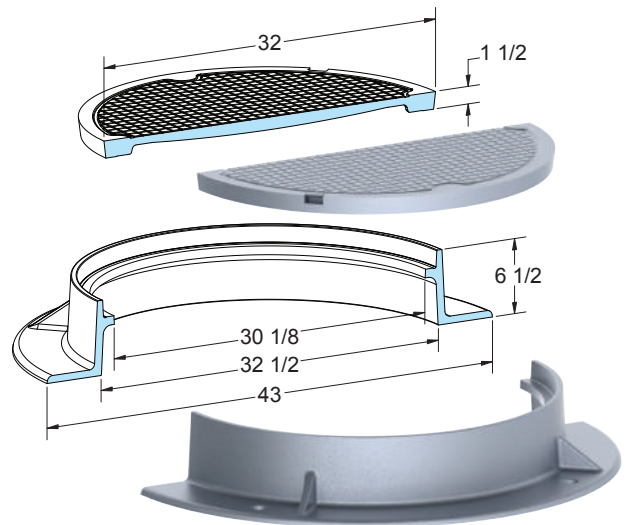
Gasket

Camlocks

Bolted

AASHTO  
M306

**USF 267 RING AND RV COVER**



Grate  
Available

Watertight

Gasket

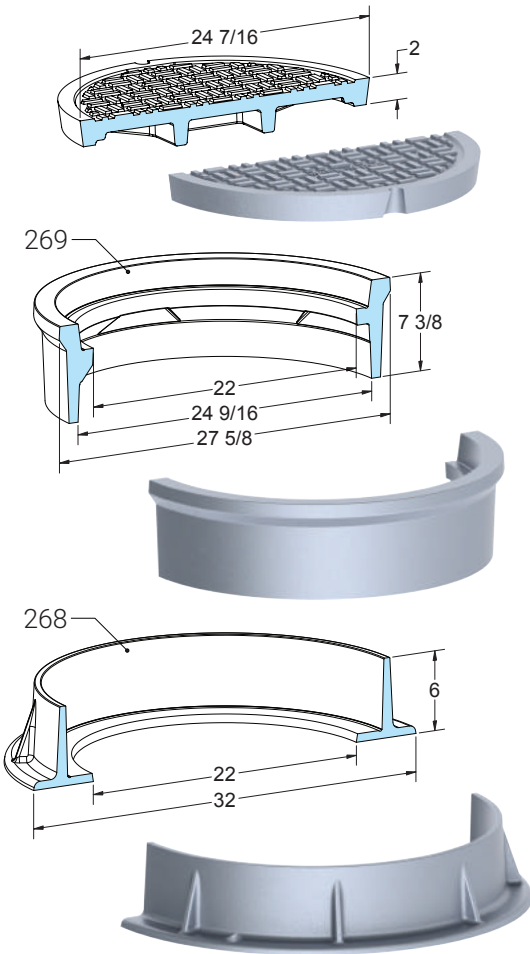
Camlocks

Bolted

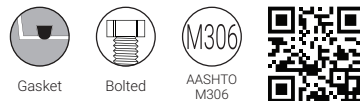
AASHTO  
M306



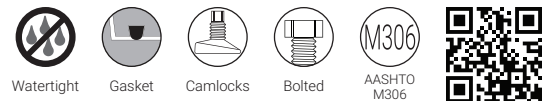
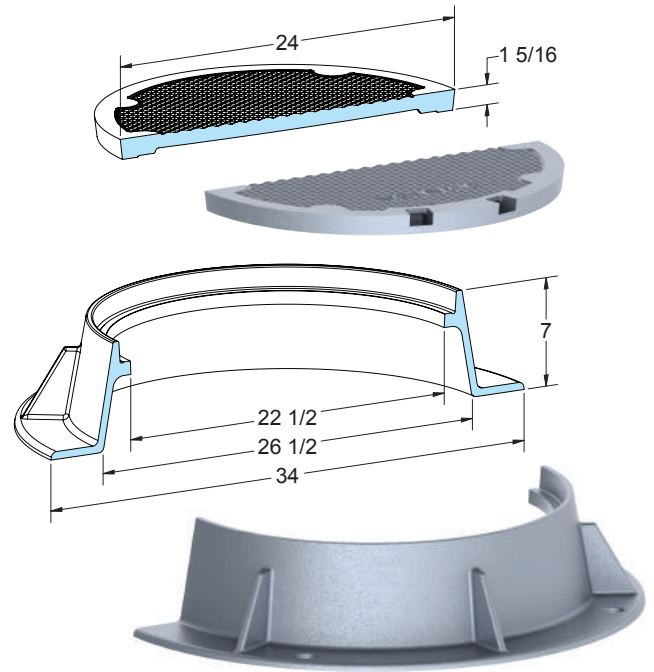
**USF 268-269 RING AND RW COVER**



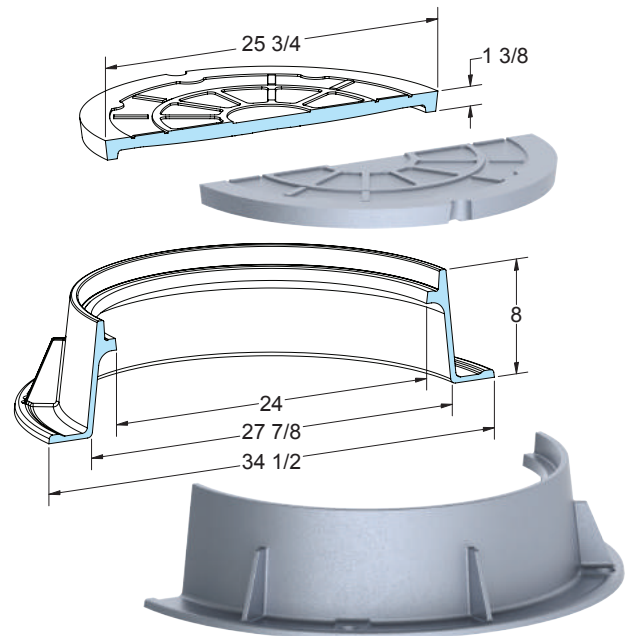
**NASSAU COUNTY  
LONG ISLAND, NEW YORK**



**USF 347 RING AND RU COVER**

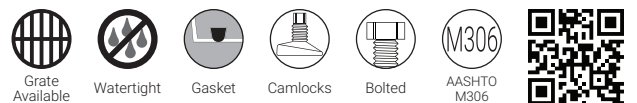


**USF 348 RING AND COVER SERIES**

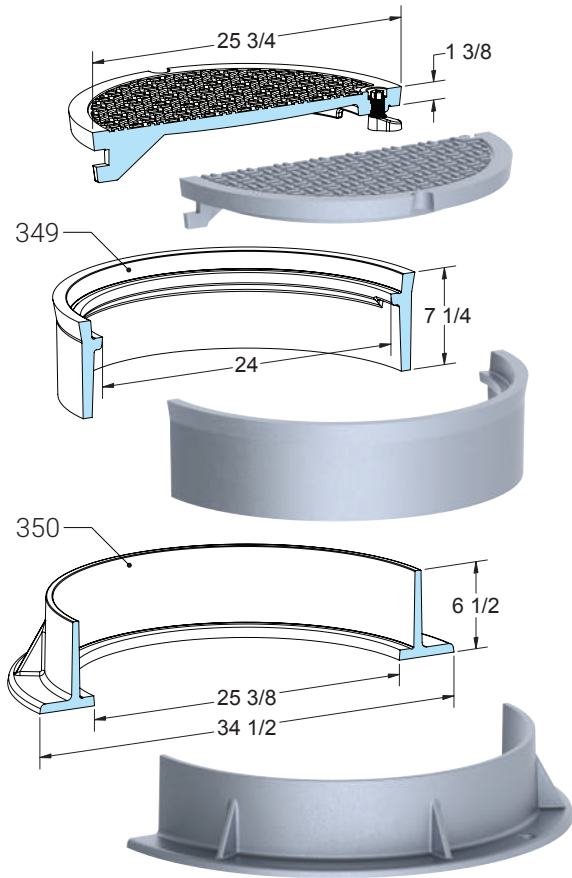


**SUFFOLK COUNTY**

Cover Types: **QY, QZ, SR**

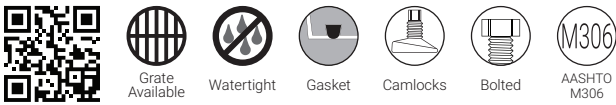


**USF 349-350 RING AND COVER SERIES**

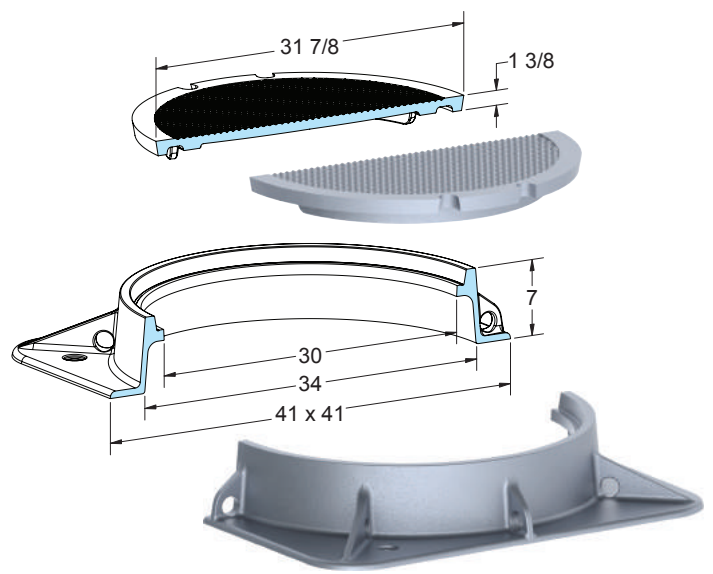


**SUFFOLK COUNTY SEWER**

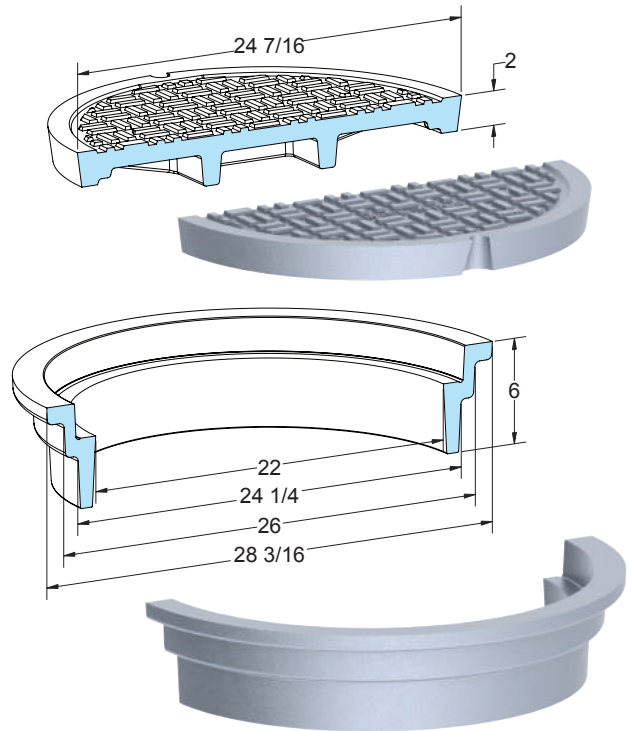
Cover Types: **QY, QZ, SR**



**USF 417 RING AND ER COVER**



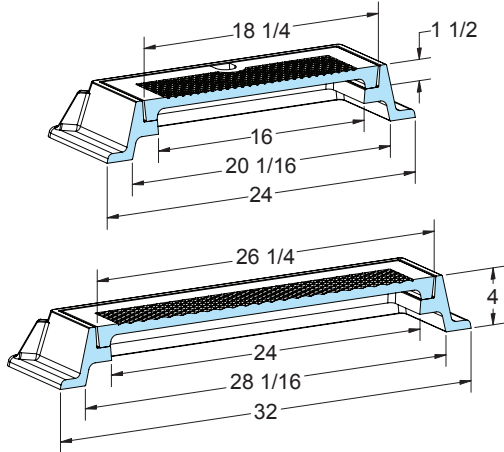
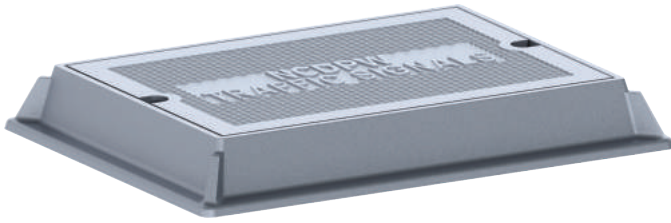
**USF 1263 RING AND RW COVER**



**NASSAU COUNTY  
LONG ISLAND, NEW YORK**



USF 1664 FRAME AND ST COVER



NASSAU COUNTY



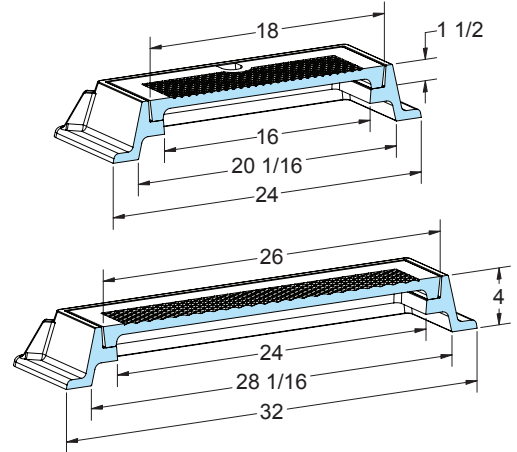
Bolted



AASHTO M306



USF 1666 FRAME AND RT COVER



NEW YORK STATE DOT



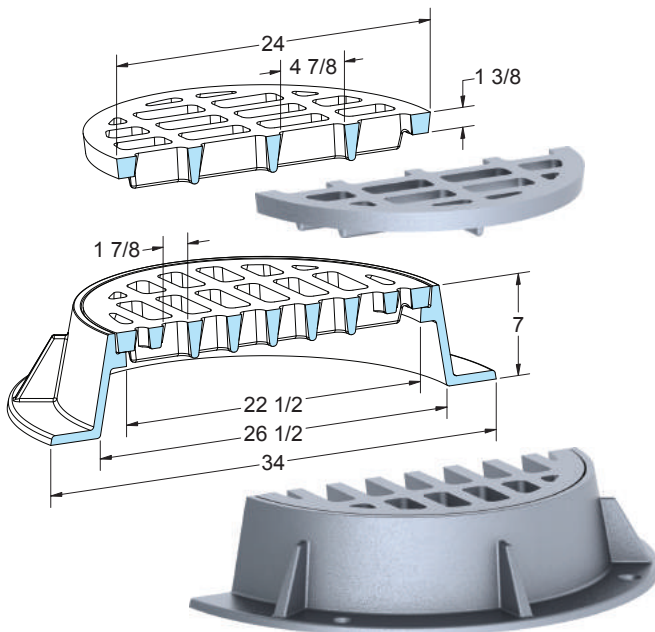
Bolted



AASHTO M306



USF 347 RING AND 5847 GRATE



Grate: **5847**(FA=168in<sup>2</sup>)



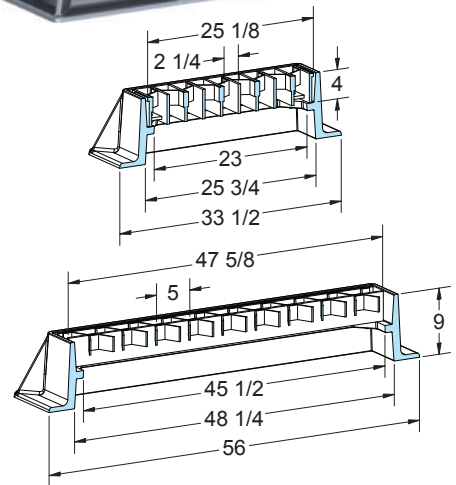
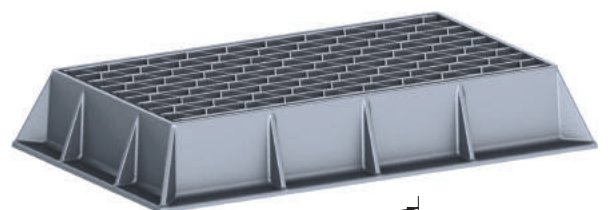
Bolted



AASHTO M306



USF 4169 FRAME AND 6698 GRATE



NEW YORK STATE DOT

Grate: **6698**(FA=872in<sup>2</sup>)(Steel)



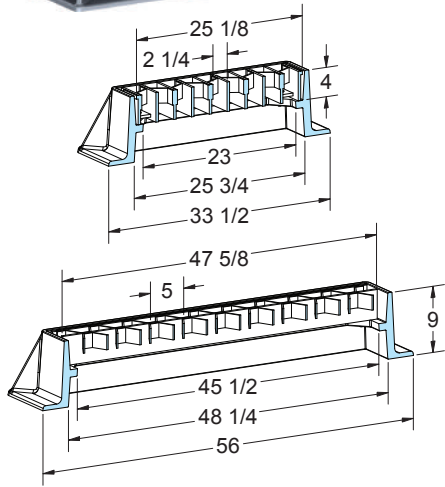
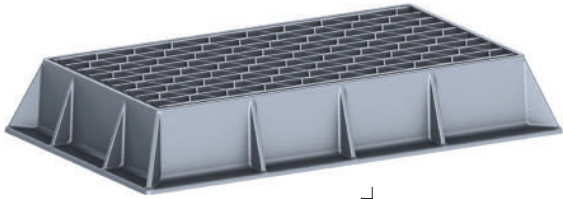
Bolted



Heavy Duty



**USF 4169 FRAME AND 6699 GRATE**

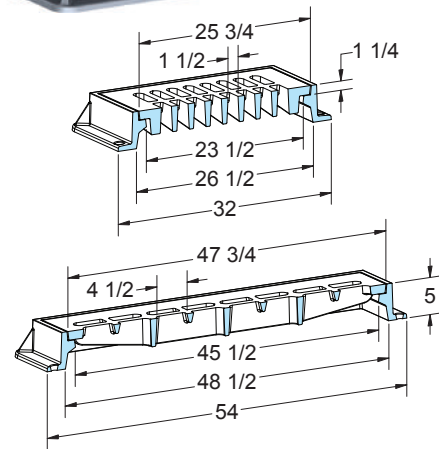


**NASSAU COUNTY**

Grate: **6699**(FA=872in<sup>2</sup>)(Steel)



**USF 4172 FRAME AND 6353 GRATE**

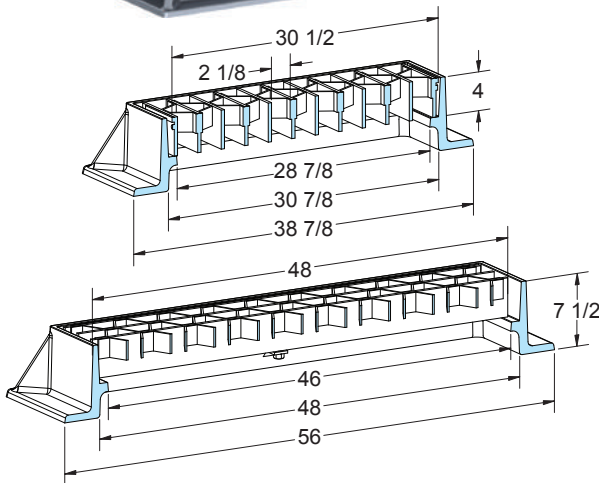
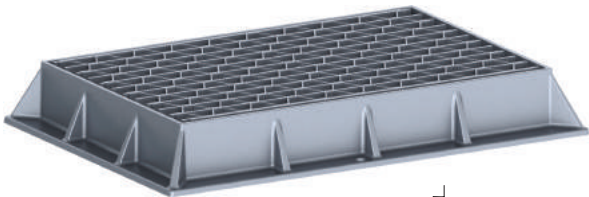


**NEW YORK CITY TYPE 2**

Grates: **6353**(FA=543in<sup>2</sup>)



**USF 4779 FRAME AND 6682 GRATE**

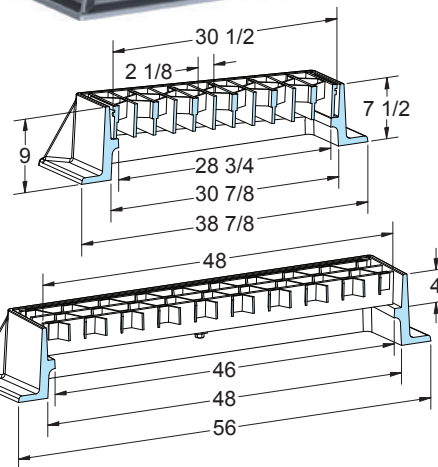
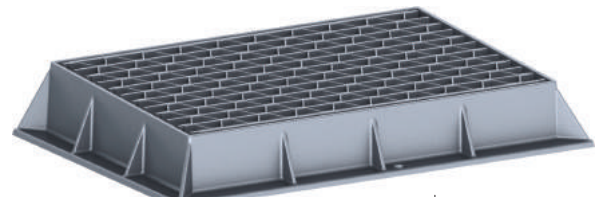


**SUFFOLK COUNTY, NEW YORK**

Grate: **6682**(FA=1066in<sup>2</sup>)



**USF 4780 FRAME AND 6682 GRATE**

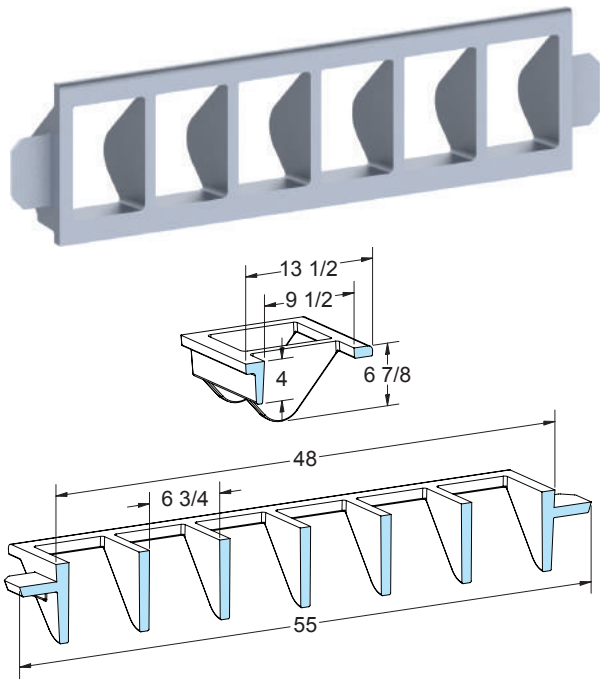


**SUFFOLK COUNTY, NEW YORK**

Grate: **6682**(FA=1066in<sup>2</sup>)



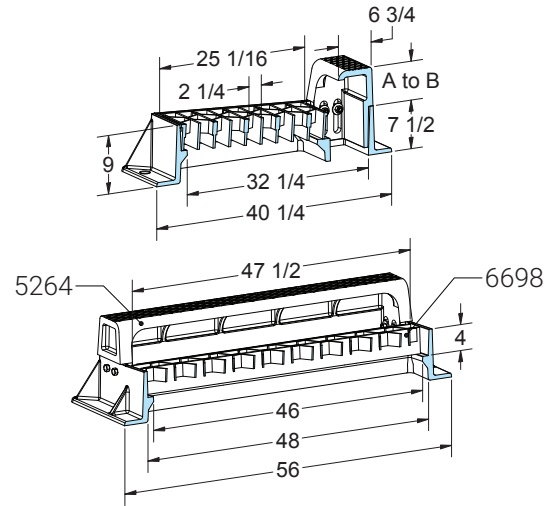
**USF 5258 INLET GRATE**



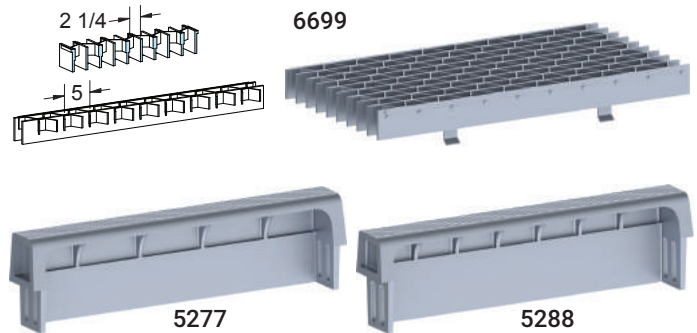
*NASSAU COUNTY, NEW YORK*



**USF 5265 CURB & GUTTER INLET FRAME, HOODS AND GRATE SERIES**



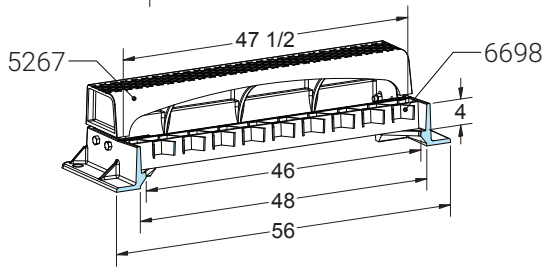
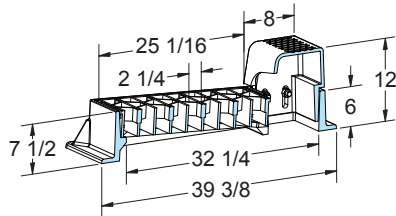
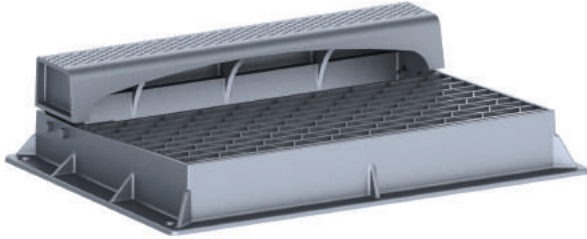
*SUFFOLK COUNTY DRAINAGE*



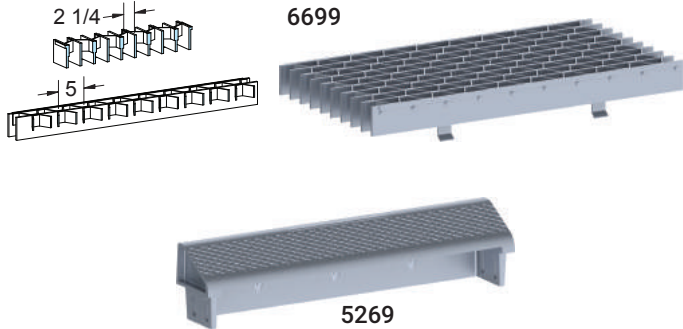
Grates: **6698**(FA=872in<sup>2</sup>)(Steel), **6699**(FA=872in<sup>2</sup>)(Steel)  
 Hoods: **5264**(A=6, B=9), **5277**(A=7, B=10), **5288**(A=6, B=9)



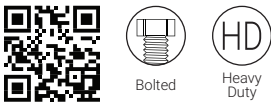
**USF 5268 CURB & GUTTER INLET FRAME, HOODS AND GRATE SERIES**



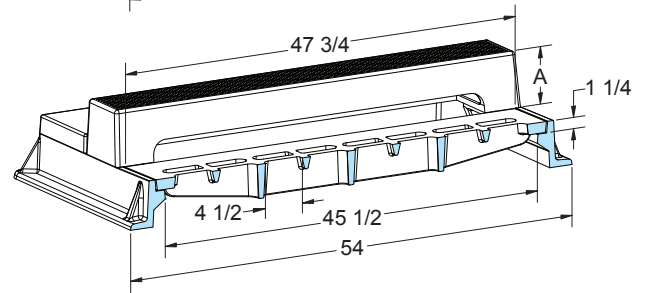
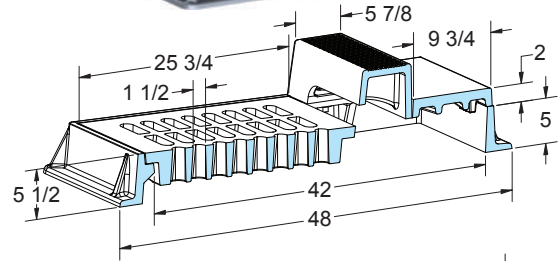
**NEW YORK STATE DOT TYPE "F3"**



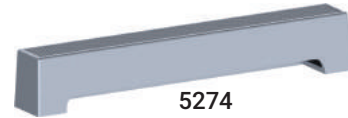
Grates: **6698**(FA=872in<sup>2</sup>)(Steel), **6699**(FA=872in<sup>2</sup>)(Steel)  
 Hoods: **5267**, **5269**(Mountable)



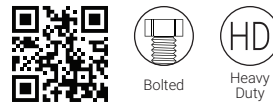
**USF 5275 CURB AND GUTTER INLET FRAME, HOODS AND 6353 GRATE**



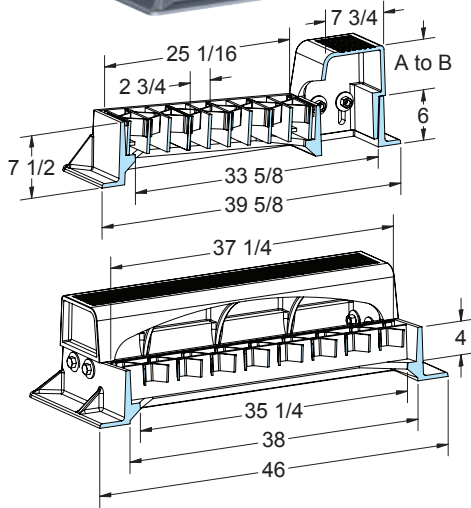
**NEW YORK CITY TYPE 1**



Grates: **6353**(FA=415in<sup>2</sup>)  
 Hoods: **5273**(A=6), **5274**(A=8)



**USF 5282 CURB AND GUTTER INLET FRAME, HOOD AND STEEL GRATE**



**NEW YORK STATE DOT TYPE "F2"**

Grate:(FA=680in<sup>2</sup>)(Steel)

Hood: **5222**(A=6, B=8 1/2)



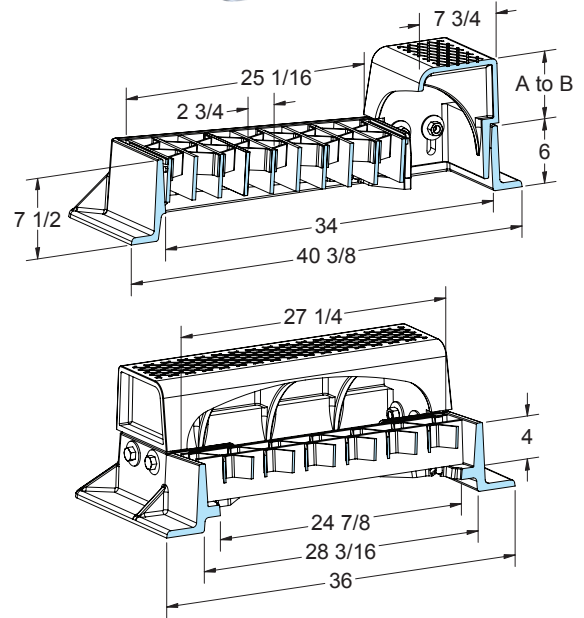
Bolted



Heavy Duty



**USF 5283 CURB AND GUTTER INLET FRAME, HOOD AND STEEL GRATE**



**NEW YORK STATE DOT TYPE "F1"**

Grate:(FA=500in<sup>2</sup>)(Steel)

Hood: **5296**(A=6, B=8 1/2)



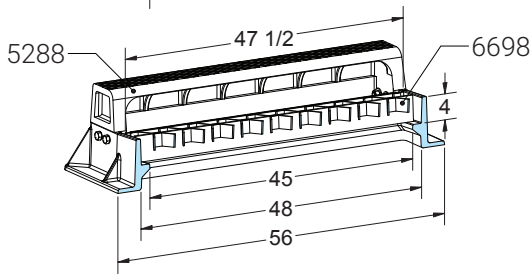
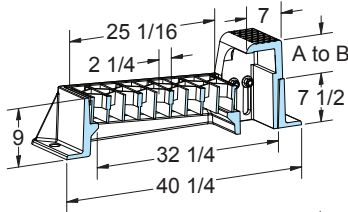
Bolted



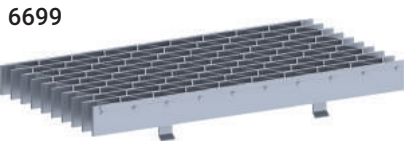
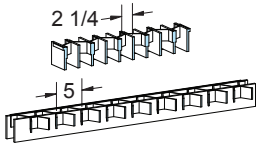
Heavy Duty



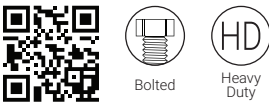
**USF 5289 CURB & GUTTER INLET FRAME, HOODS AND GRATE SERIES**



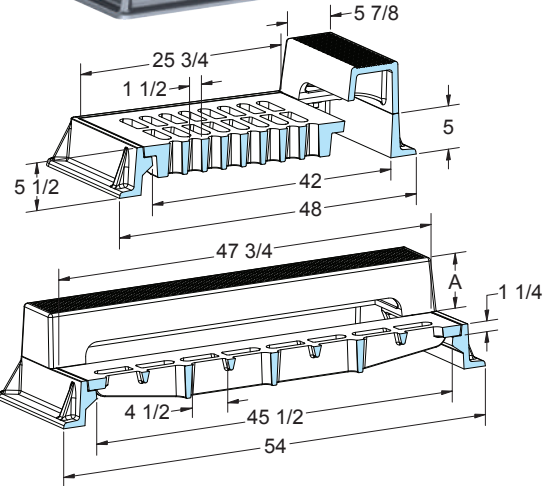
**NASSAU COUNTY**



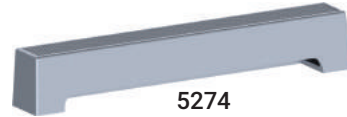
Grates: **6698**(FA=872in<sup>2</sup>)(Steel), **6699**(FA=872in<sup>2</sup>)(Steel)  
 Hoods: **5264**(A=6, B=9), **5277**(A=7, B=10), **5288**(A=6, B=9)



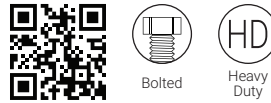
**USF 5297 CURB AND GUTTER INLET FRAME, HOODS AND 6353 GRATE**



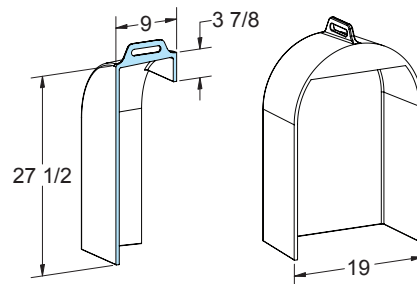
**NEW YORK CITY TYPE 3**



Grates: **6353**(FA=415in<sup>2</sup>)  
 Hoods: **5273**(A=6), **5274**(A=8)



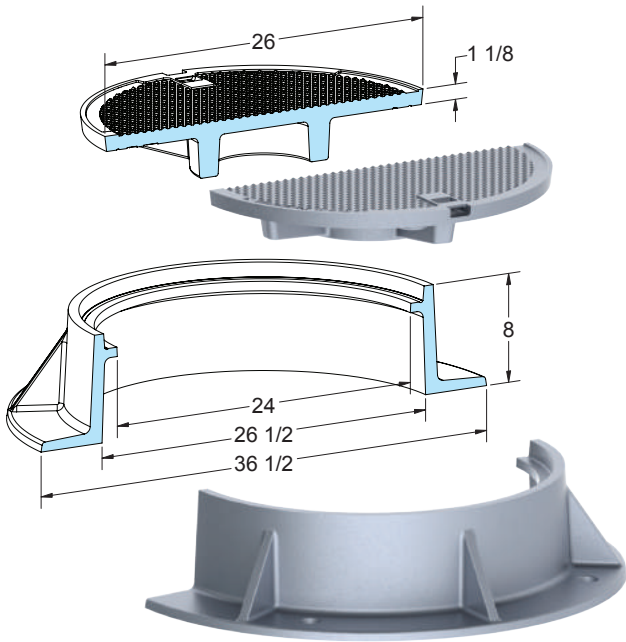
**USF 5500 HOOD**



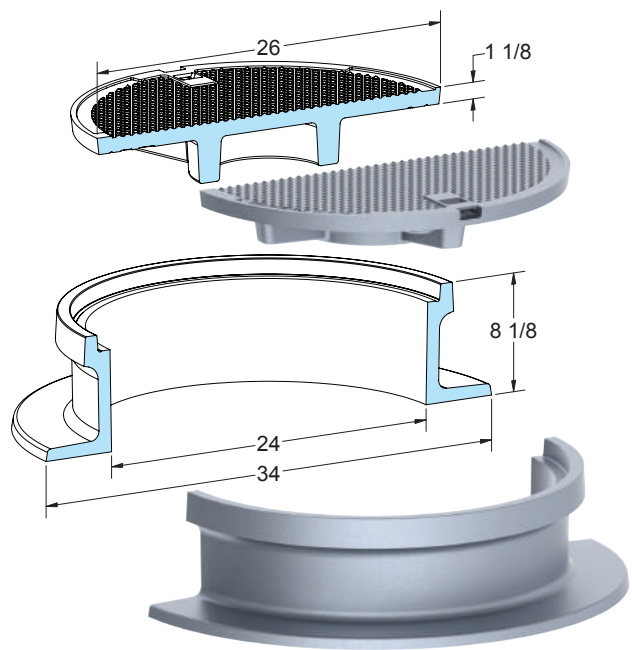


# NEW ENGLAND CASTINGS

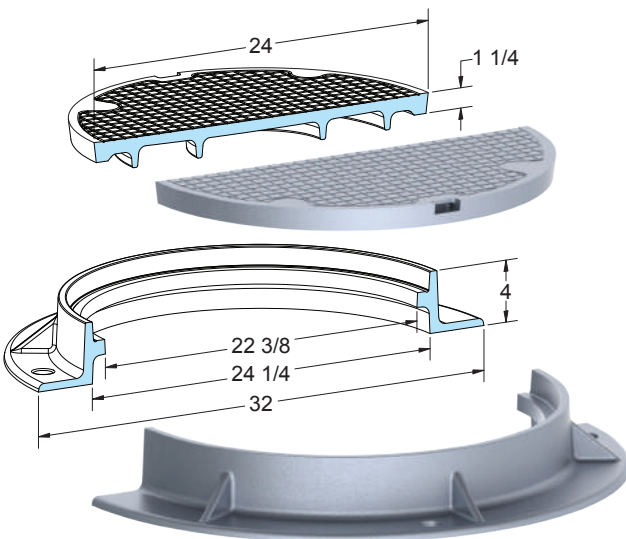
**USF 126 RING AND IC COVER**



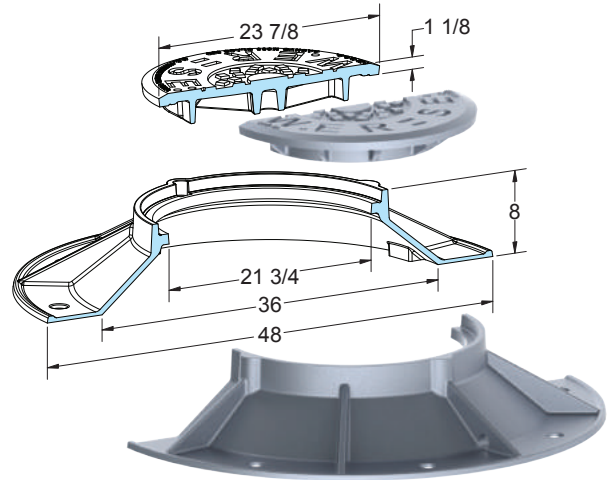
**USF 127 RING AND IC COVER**



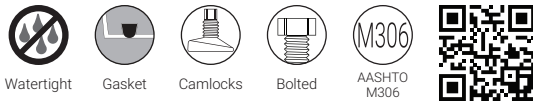
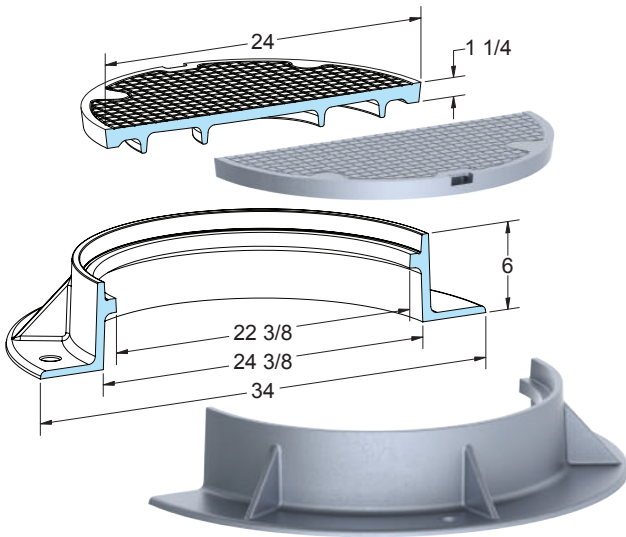
**USF 134 RING AND IS COVER**



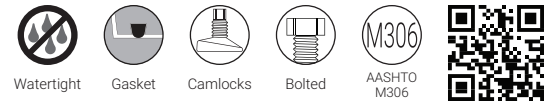
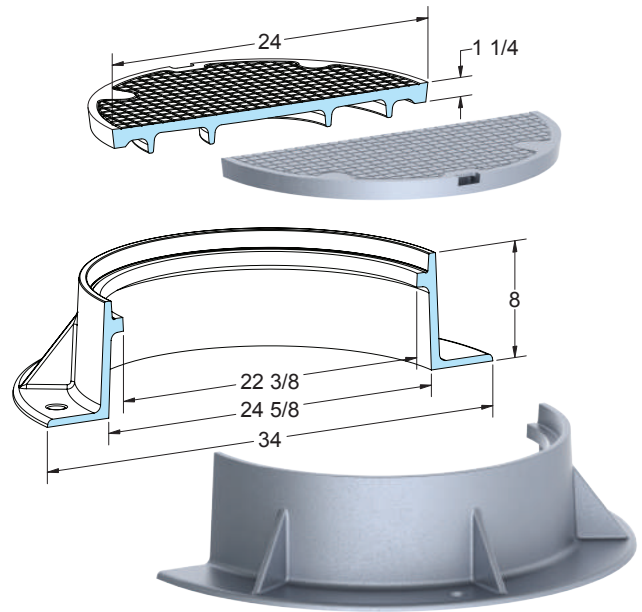
**USF 135 RING AND IR COVER**



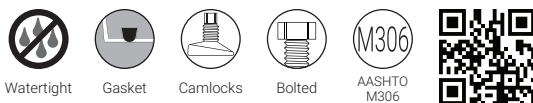
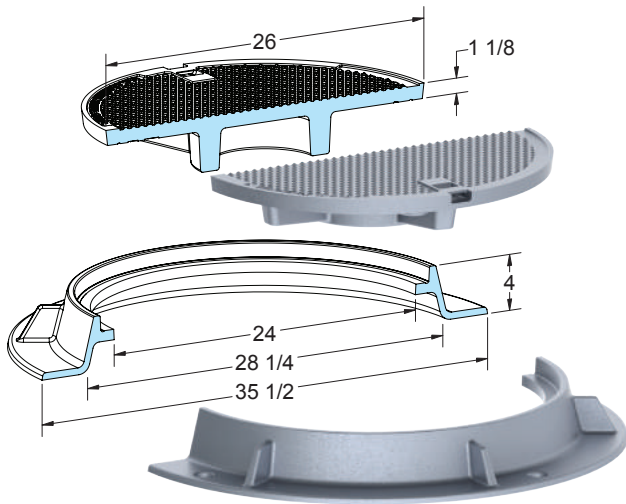
**USF 136 RING AND IS COVER**



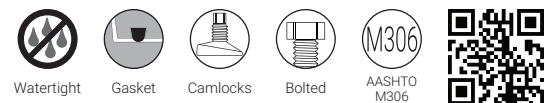
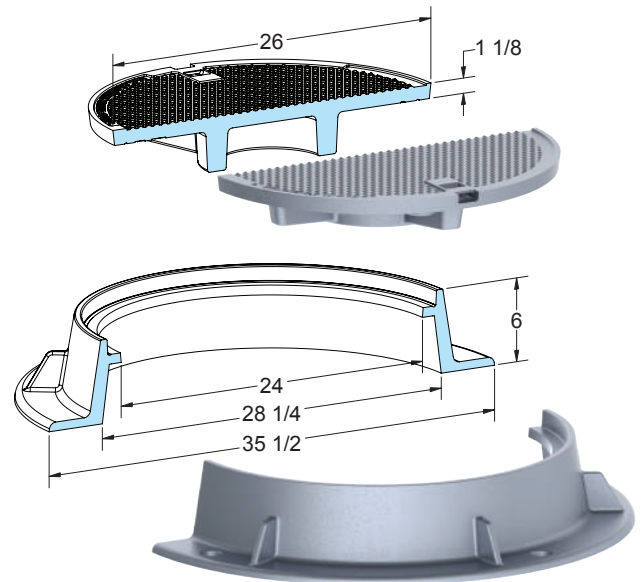
**USF 138 RING AND IS COVER**



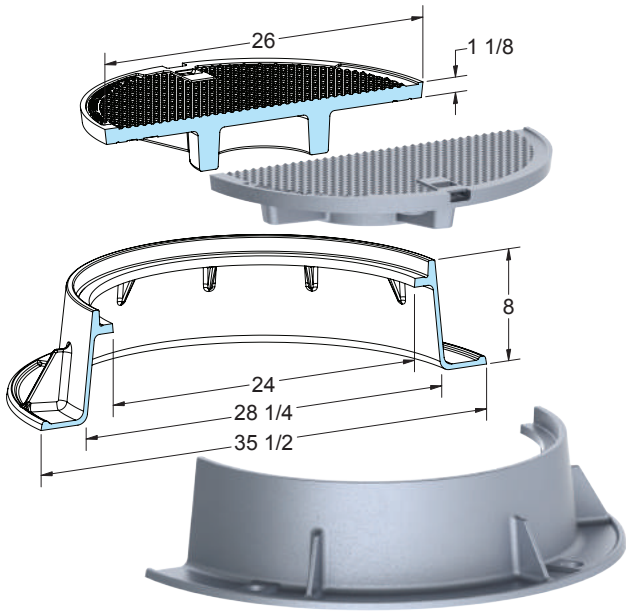
**USF 144 RING AND IC COVER**



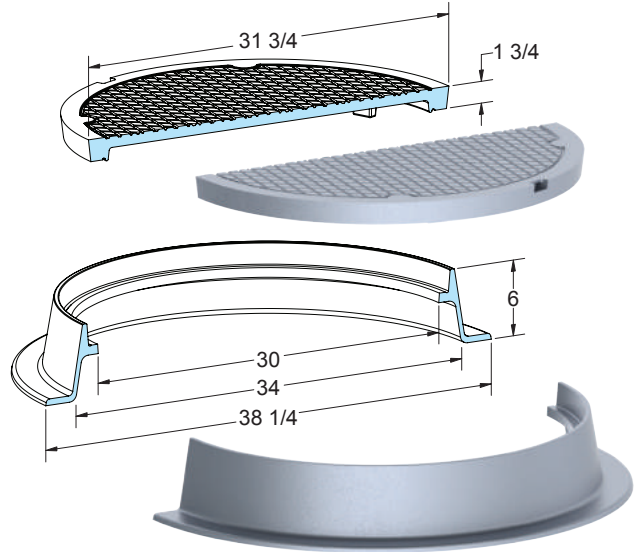
**USF 146 RING AND IC COVER**



**USF 148 RING AND IC COVER**



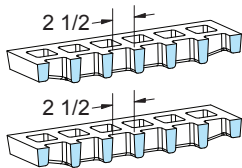
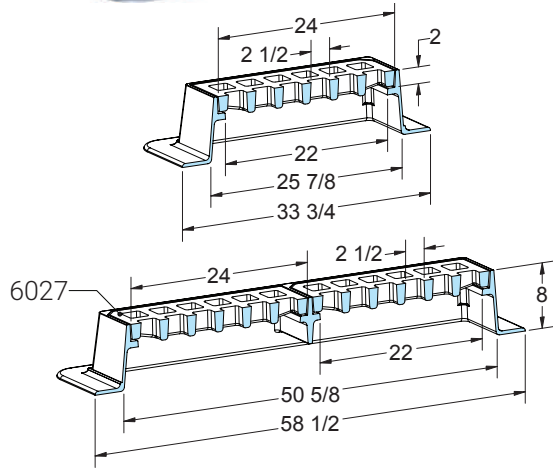
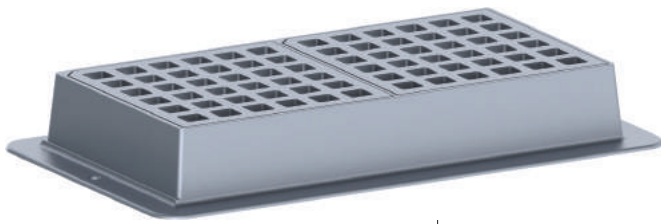
**USF 396 RING AND RH COVER**



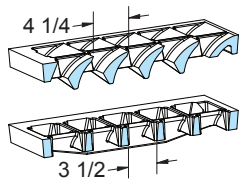
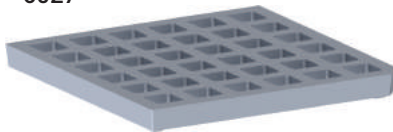
**NEW HAMPSHIRE DOT DR-2**



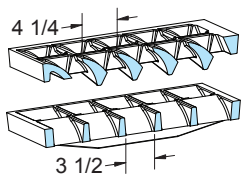
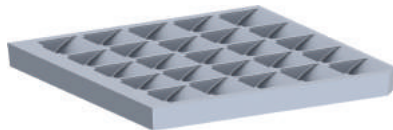
USF 4028 FRAME AND GRATE SERIES



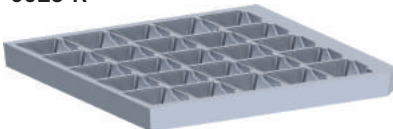
6027



6028-L



6028-R



NEW HAMPSHIRE DOT TYPE "E"

Grate: **6027**(FA=223in<sup>2</sup>), **6028-L**(FA=160in<sup>2</sup>)  
**6028-R**(FA=160in<sup>2</sup>)



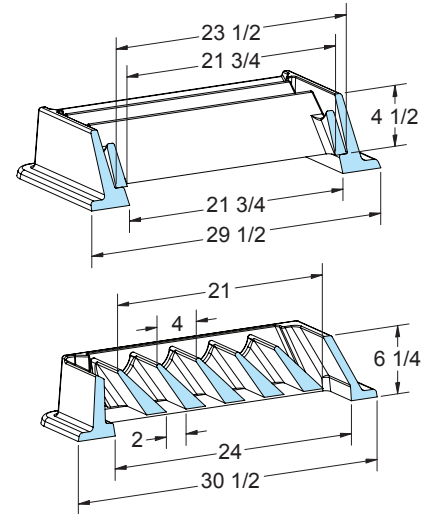
Bolted



Heavy Duty



USF 4032 FRAME AND 6032 GRATE



NEW HAMPSHIRE DOT TYPE "E"

Grate: **6032**(FA=169in<sup>2</sup>)

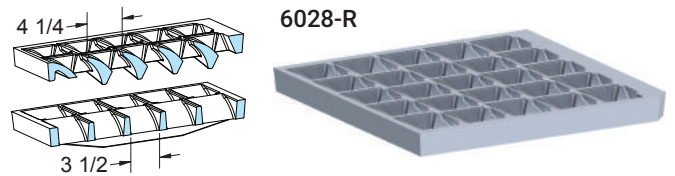
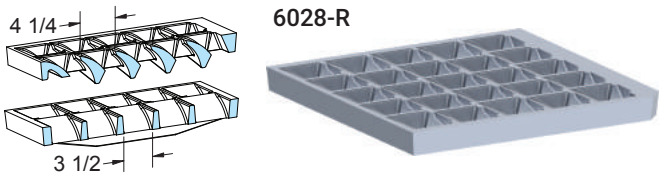
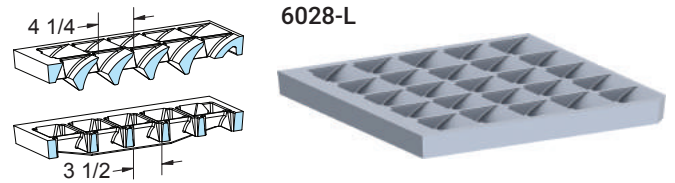
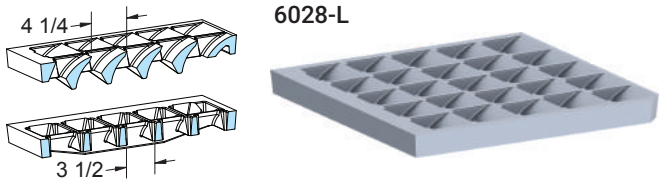
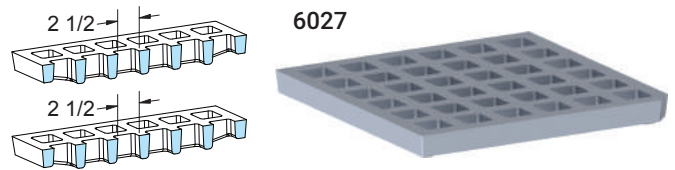
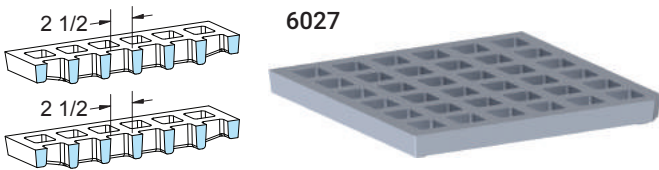
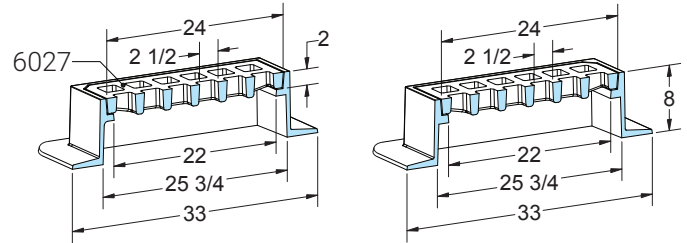
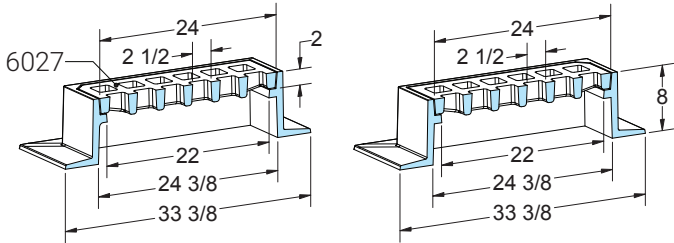


Heavy Duty



USF 4110 FRAME AND GRATE SERIES

USF 4111 FRAME AND GRATE SERIES



AVAILABLE AS THREE FLANGED FRAME

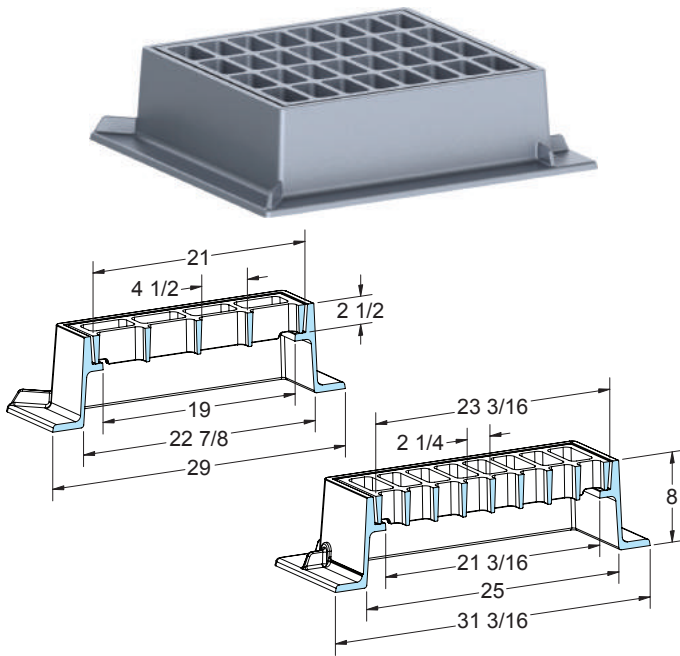
AVAILABLE AS THREE FLANGED FRAME

Grate: **6027**(FA=223in<sup>2</sup>), **6028-L**(FA=160in<sup>2</sup>)  
**6028-R**(FA=160in<sup>2</sup>)

Grate: **6027**(FA=223in<sup>2</sup>), **6028-L**(FA=160in<sup>2</sup>)  
**6028-R**(FA=160in<sup>2</sup>)



USF 4112 FRAME AND 6112 GRATE

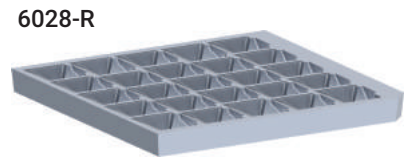
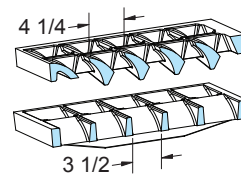
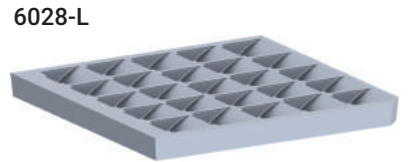
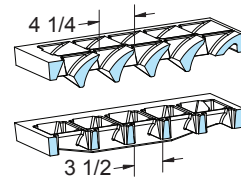
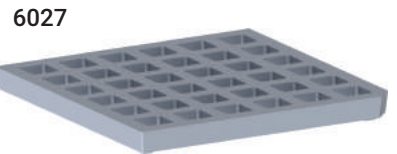
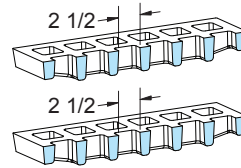
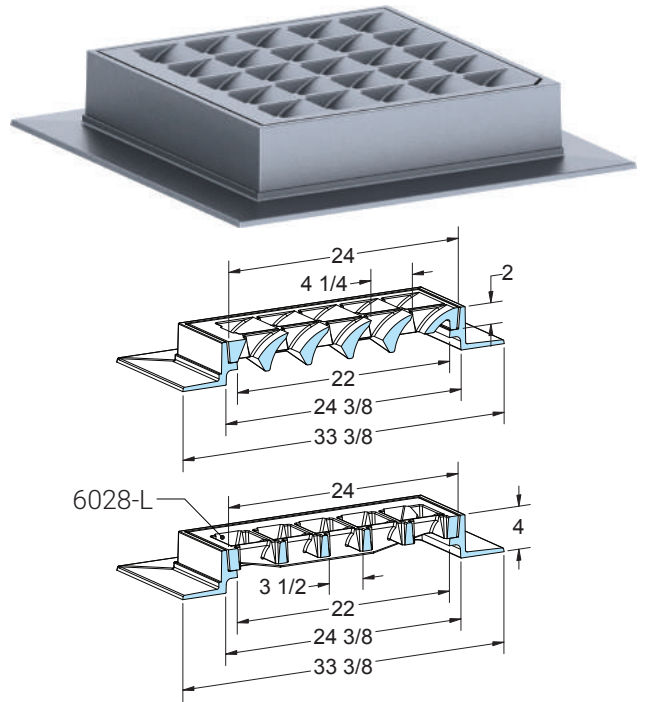


NEW HAMPSHIRE TYPE "B"  
AVAILABLE AS THREE FLANGED FRAME

Grate: **6112**(FA=307in<sup>2</sup>)



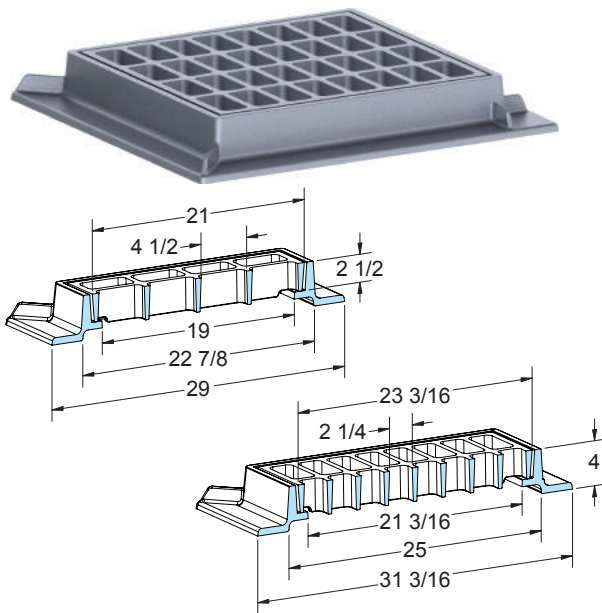
USF 4114 FRAME AND GRATE SERIES



AVAILABLE AS THREE FLANGED FRAME

Grates: **6027**(FA=223in<sup>2</sup>), **6028-R**(FA=160in<sup>2</sup>)  
**6028-L**(FA=160in<sup>2</sup>)

USF 4113 FRAME AND 6112 GRATE

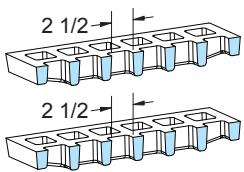
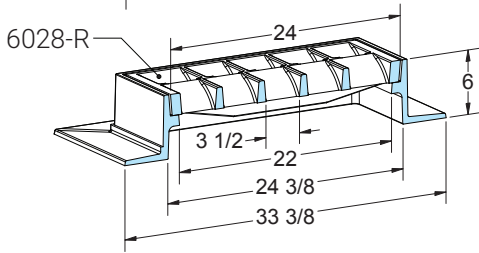
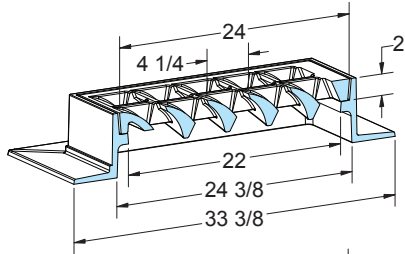


NEW HAMPSHIRE TYPE "B"  
AVAILABLE AS THREE FLANGED FRAME

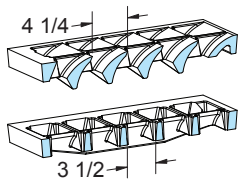
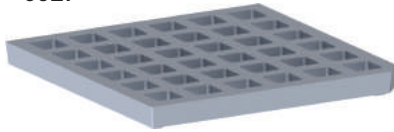
Grate: **6112**(FA=307in<sup>2</sup>)



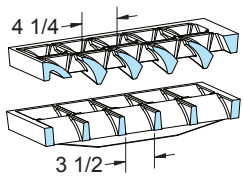
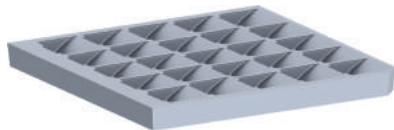
USF 4116 FRAME AND GRATE SERIES



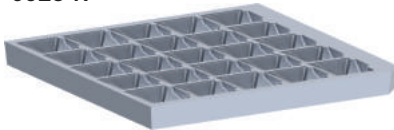
6027



6028-L



6028-R



AVAILABLE AS THREE FLANGED FRAME

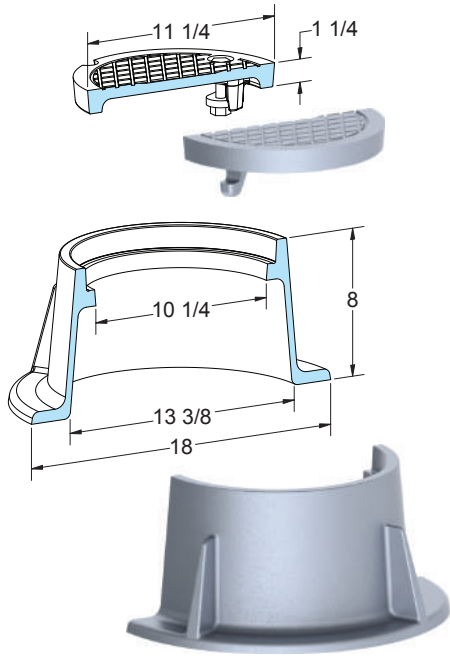
Grates: **6027**(FA=223in<sup>2</sup>), **6028-R**(FA=160in<sup>2</sup>)  
**6028-L**(FA=160in<sup>2</sup>)



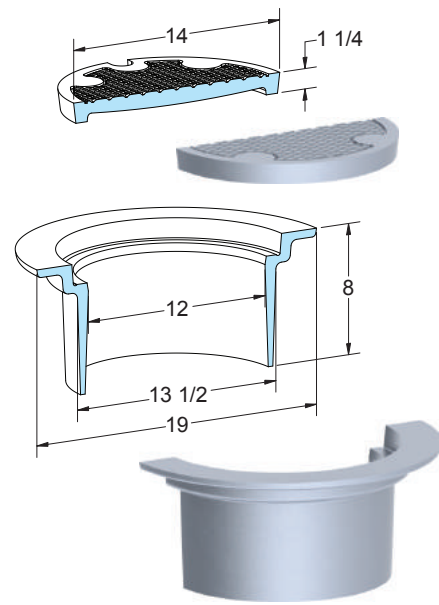


# ADDITIONAL CASTINGS

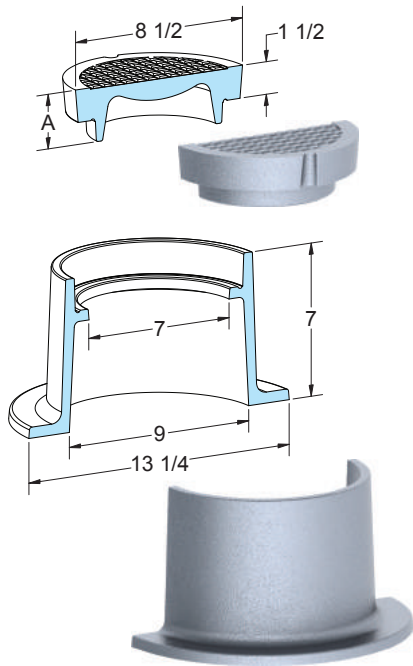
USF 7601 VALVE BOX RING AND FH COVER



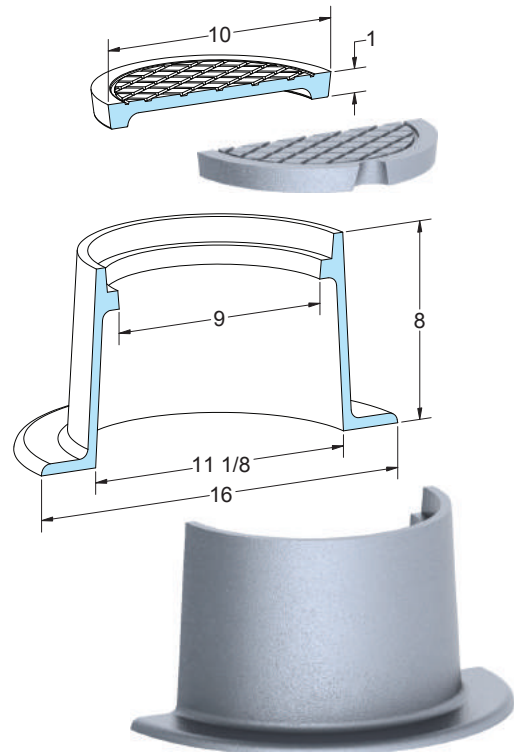
USF 7602 VALVE BOX RING AND VC COVER



USF 7610 HANDHOLE RING AND COVER SERIES



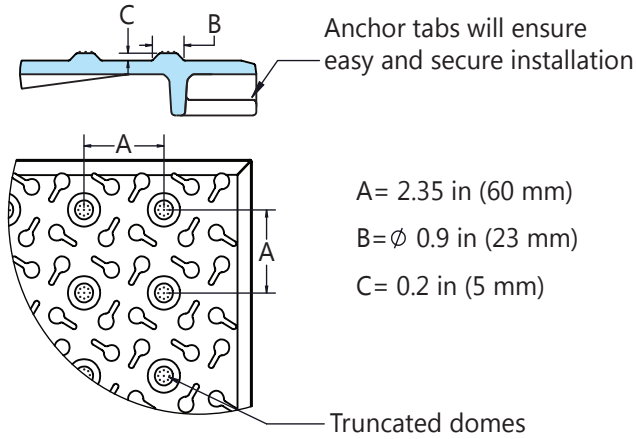
USF 7631 VALVE BOX AND QF COVER



Cover Types: **FC**(A=2 1/2), **FO**(A=3 11/16)



USF DETECTABLE WARNING PLATES

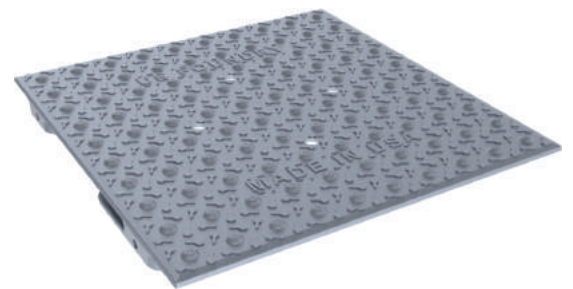
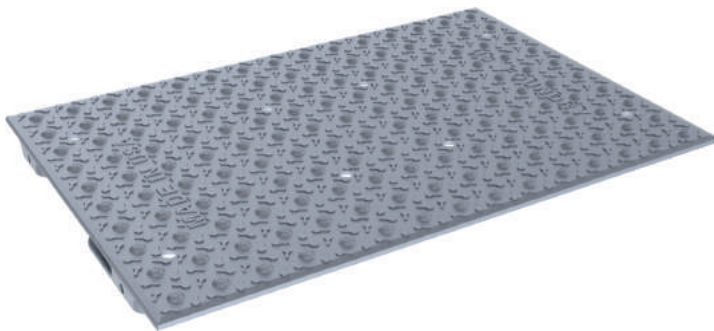
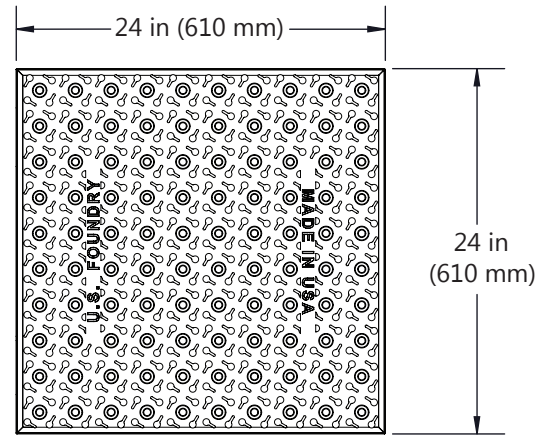
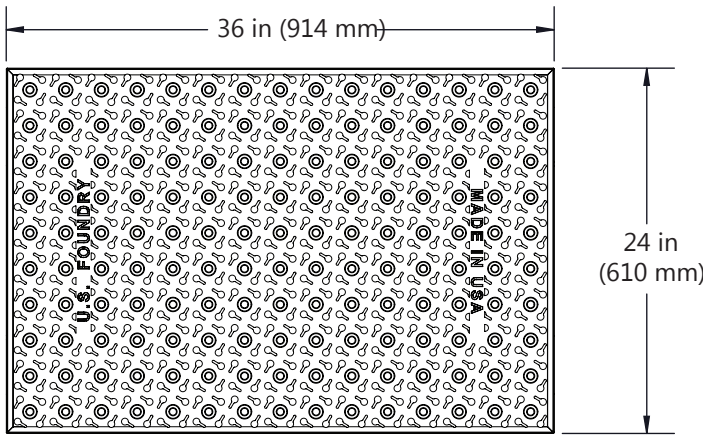


Installation Instructions:

- \* Bolt multiple plates together, if required.
- \* Set plates in position in pre-poured wet concrete.
- \* Press plates into wet concrete so top of plate is flush.
- \* Finish concrete around plates.
- \* Remove any wet concrete from plate surface

US Foundry's Detectable Warning Plates Feature:

- Outstanding performance provided by the strength and durability of cast iron as compared to composite or plastic alternatives; elimination of problems like cuts, cracks, peeling, delaminating and wearing.
- Cast iron's resilient properties will guarantee many years of service life, and will withstand snow-plow abuse.
- Designed for ease of installation in concrete with integrated anchor tabs.
- Appealing aesthetics in a functional warning plate; castings have an integral non-slip texture on and between the truncated dome shapes.
- Compliance with the requirements of Americans with Disabilities Act Accessibility Guidelines (ADAAG) for Accessible Public Rights-of-Way, Section R304.



## CROSS REFERENCE

Campbell	US Foundry	Page
#0602	KG	5
#1000	7601 / FH	33
#1007	266 / RU	15
#1009A	344 / QZ	4
#1012	267 / RV	15
#1012-B	692 / KV	5
#1012-D	273	3
#1030	346 / QZ	4
#1032	347 / RU	16
#1041	107 / II	15
#1182D	347 / 5847	18
#1184	346 / 5618	7
#1202	235 / IF	3
#1202A	384 / IF	4
#1202B	238 / IF	3
#1203	398 / QY	5
#1232	300 / Q	4
#1233	417 / ER	17
#1453	348 / SR	16
#1733	268 / 269 / RW	16
#1734	349 / 350 / SR	17

Campbell	US Foundry	Page
#1735	7602 / VC	33
#1793	1263 / RW	17
#2511	5236 / 6396	11
#2551	5258	20
#2564	5500	23
#2605	5265 / 6699	20
#2611	5268 / 6698	21
#2617	5236 / 6352	11
#2618	5216 / 6352	10
#2633	5243 / 6357	11
#2694	5275 / 6353	21
#2696	5297 / 6353	23
#3072	1664 / ST	18
#3131	4169 / 6698	18
#3131C	4779 / 6682	19
#3135C	4780 / 6682	19
#3405	4196 / 6352	9
#3407	4172 / 6353	19
#3408	4040 / 6040	7
#3425	4195 / 6352	8
#4155	7631 / QF	33

## NEW YORK STATE DOT REFERENCE

Municipal Ref.	Campbell	USF	Description	Page
	#1012	267 / RV	Ring and Cover	15
NYS DOT	#2611	5268 / 6698	Curb and Gutter Inlet and Steel Grate	21
NYS DOT C-3, D-3	#3131	4169 / 6698	Rectangular Frame and Steel Grate	18

## NASSAU COUNTY REFERENCE

Municipal Ref.	Campbell	USF	Description	Page
	#1733	268 / 269 / RW	Adjustable Ring and Cover	16
	#1733	264 / RW	Ring and Cover	15
	#1735	7602 / VC	Handhole Ring and Cover	33
	#1793	1263 / RW	Ring and Cover	17
	#2551	5258	Inlet Grate	20
	#2605	5289 / 6699	Curb and Gutter Inlet and Steel Grate	23
	#3131	4169 / 6699	Rectangular Frame and Steel Grate	18

## SUFFOLK COUNTY REFERENCE

Municipal Ref.	Campbell	USF	Description	Page
	#1012	267 / RV	Ring and Cover	15
	#1453	348 / SR	Ring and Hook Lock Cover	16
	#1734	349 / 350 / SR	Adjustable Ring and Hook Lock Cover	17
	#1735	7602 / VC	Handhole Ring and Cover	33
	#2605	5265 / 6699	Curb and Gutter Inlet and Steel Grate	20
	#3131C	4779 / 6682	Rectangular Frame and Steel Grate	19
	#3135C	4780 / 6682	Rectangular Frame and Steel Grate	19

## NEW YORK CITY REFERENCE

Municipal Ref.	Campbell	USF	Description	Page
	#1041	107 / II	Ring and Cover	15
	#2564	5500	Catch Basin Trap	23
	#2694	5275 / 6353	Curb and Gutter Inlet, Backplate and Grate	21
	#2696	5297 / 6353	Curb and Gutter Inlet and Grate	23
	#3407	4172 / 6353	Rectangular Frame and Grate	19

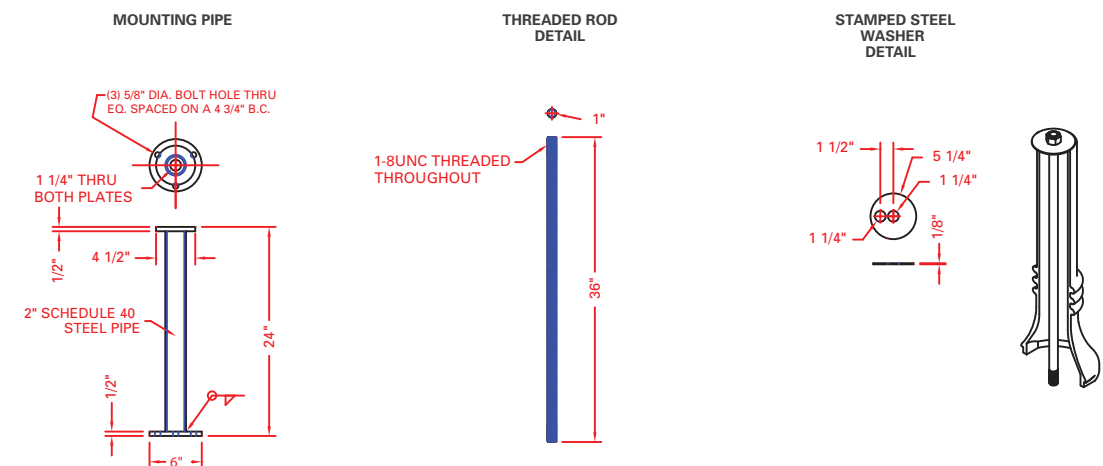
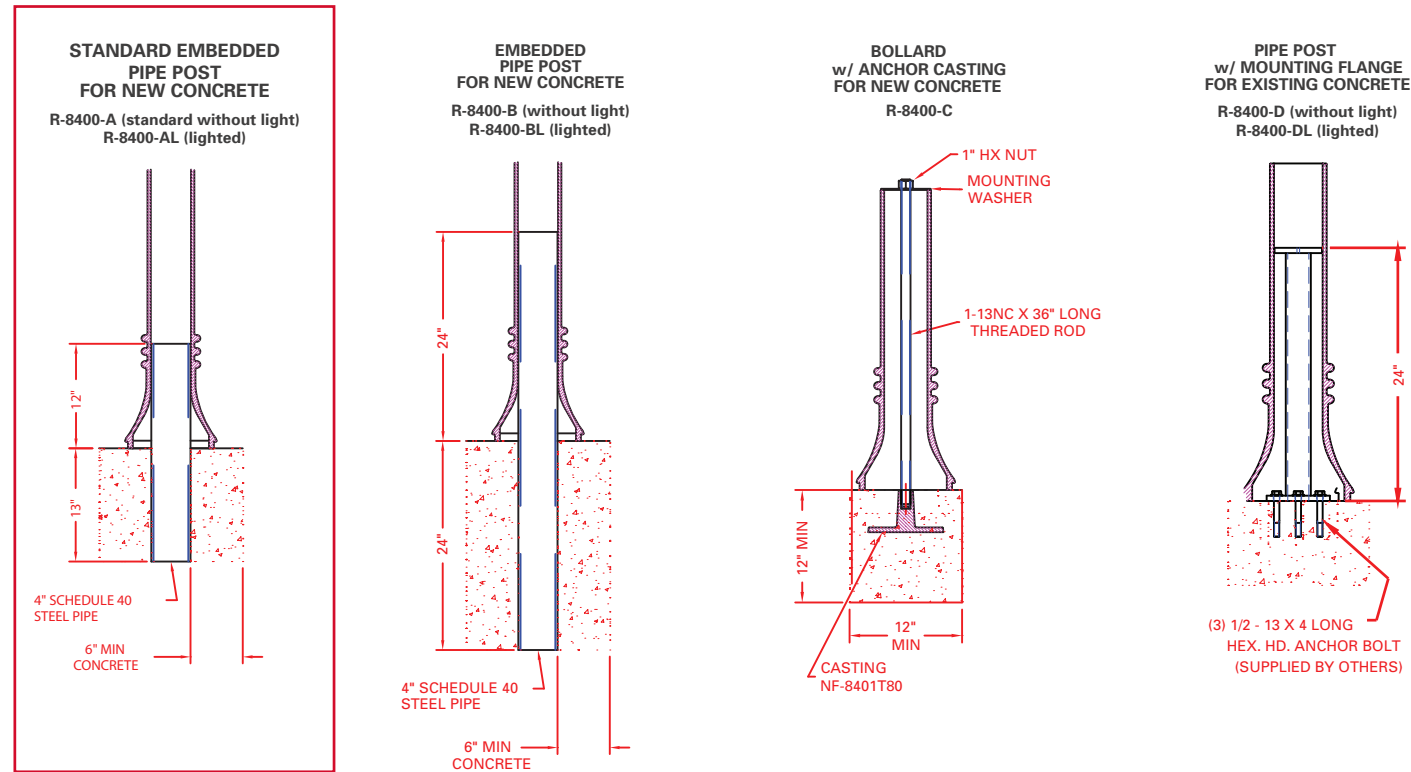
## NEW JERSEY REFERENCE

Municipal Ref.	Campbell	USF	Description	Page
	#0602	KG	Rectangular Cover	5
	#1000	7601 / FH	Handhole Ring and Cover	33
	#1012	RV	Cover	15
	#1012-A	267	Ring	15
	#1012-B	692 / KV	Ring and Cover	5
	#1012-D	273	Ring	3
NJDOT 8" Deep Bell Frame 41" Flange	#1202	235 / IF	Ring and Cover	3
	#1202A	384 / IF	Ring and Cover	4
NJDOT 8" Deep Bell Frame 39" Flange	#1202B	238 / IF	Ring and Cover	3
	#1203	398 / QY	Ring and Cover	5
	#1203	398 / QZ	Ring and Cover	5
New Jersey Conversion Manhole	#1232	300 / Q	Square Flange Ring and Cover	4
NJDOT Type "D"	#2511	5236 / 6396	Curb and Gutter Inlet and Oval Grate	11
NJDOT Type "D1"	#2617	5236 / 6352	Curb and Gutter Inlet and Grate*	11
NJDOT Type "D"	#2617	5236 / 6352	Curb and Gutter Inlet and Grate*	11
NJDOT Type "D"	#2617	5236 / 6372	Curb and Gutter Inlet and ADA Grate	11
NJDOT Type "B"	#2618	5216 / 6352	Curb and Gutter Inlet, Backplate and Grate*	10
NJDOT Type "B"	#2618	5216 / 6352	Driveway Access Plate and Grate*	10
NJDOT Type "A"	#3405	4196 / 6352	Rectangular Frame and Grate*	9
NJDOT Type "FAT A"	#3408	4040 / 6040	Rectangular Frame and Grate	7
NJDOT Type "E"	#3425	4195 / 6352	Rectangular Frame and Double Grate*	8
	#4155	7631 / QF	Valve Box Ring and Cover	33
	#4173	7610 / FC	Handhole Ring and Cover	33

\*6352 Grate - Bicycle Safe Grate

# NEENAH CAST IRON BOLLARDS INSTALLATION GUIDE

With multiple installation options our cast iron bollards are built to last and give you the flexibility to make every job as easy as possible. Whether it's new or existing concrete, whatever you need to do, we have the tools and expertise to get it done right.



## CASTING AMERICA'S BACKBONE

Located in Neenah, WI, Neenah Foundry has been supplying quality castings such as manhole frames, lids and grates for our great nation since 1872. We pour 500 tons of material every day to make thousands of products and create over 900 jobs. It's our painstaking quality control and attention to detail that make Neenah the foundry more industry professionals rely on.

To learn more about what Neenah Foundry can do for you, visit us online at [www.neenahfoundry.com](http://www.neenahfoundry.com)



## THE NEW BOLLARDS FROM NEENAH.

Now that they're available in cast iron, steel, stainless steel and brushed aluminum, our bollards are fully compatible with your ideas.

- Designs range from simple to decorative
- 71 bollard configurations to choose from
- Cast bollards are designed to fit over standard 4" pipe
- Cast bollards are designed for pre-existing or new bollard installations
- Cast bollards can be provided with or without chain attachments
- Bollard options can be used to coordinate with a wide range of Neenah product offerings, from downspouts to grates and detectable warning plates
- Bollards can be painted in a wide range of colors
- 100% American Made

# THE NEW FAMILY OF NEENAH BOLLARDS.

STEEL & ALUMINUM



STRAIGHT PIPE

**STEEL**  
CAT. R-8450-S  
Inside Diameter: 4", 6", 8", 10", 12"  
Length: 4', 6', 8'

**STAINLESS STEEL**  
CAT. R-8450-SS  
Inside Diameter: 6", 8"  
Length: 6', 8'



HORSE SHOE U

**STEEL**  
CAT. R-8450-H3  
CAT. R-8450-H4  
Outside Diameter: 3.5", 4"

**STAINLESS STEEL**  
CAT. R-8450-HS3  
CAT. R-8450-HS4  
Outside Diameter: 3.5", 4"

**BRUSHED ALUMINUM**  
CAT. R-8450-HA3  
CAT. R-8450-HA4  
Outside Diameter: 3.5", 4"



FLAT BACK U

**STEEL**  
CAT. R-8450-F3  
CAT. R-8450-F4  
Outside Diameter: 3.5", 4"

**STAINLESS STEEL**  
CAT. R-8450-FS3  
CAT. R-8450-FS4  
Outside Diameter: 3.5", 4"

**BRUSHED ALUMINUM**  
CAT. R-8450-FA3  
CAT. R-8450-FA4  
Outside Diameter: 3.5", 4"

COLOR OPTIONS

## STANDARD COLORS



9005 JET BLACK



6020 CHROME GREEN



OIL BAKED

## CUSTOM COLORS

Neenah offers a wide range of custom bollard colors to coordinate with the color scheme of any project.

To view available color options visit:  
[www.ralcolors.net](http://www.ralcolors.net)

CAST IRON



CAT. R-8401-43AA  
40.4 Inches  
121 Lbs.



CAT. R-8401-43AB  
40.4 Inches  
101 Lbs.



CAT. R-8401-43AC  
40.4 Inches  
89 Lbs.



CAT. R-8402-43AA  
40.4 Inches  
114 Lbs.



CAT. R-8402-43AB  
40.4 Inches  
94 Lbs.



CAT. R-8402-43AC  
40.4 Inches  
82 Lbs.



CAT. R-8403-43AA  
40.4 Inches  
121 Lbs.



CAT. R-8403-43AB  
40.4 Inches  
101 Lbs.



CAT. R-8403-43AC  
40.4 Inches  
89 Lbs.



CAT. R-8401-43BA  
38 Inches  
115 Lbs.



CAT. R-8401-43BB  
38 Inches  
95 Lbs.



CAT. R-8401-43BC  
38 Inches  
83 Lbs.



CAT. R-8402-43BA  
38 Inches  
108 Lbs.



CAT. R-8402-43BB  
38 Inches  
88 Lbs.



CAT. R-8402-43BC  
38 Inches  
76 Lbs.



CAT. R-8403-43BA  
38 Inches  
115 Lbs.



CAT. R-8403-43BB  
38 Inches  
95 Lbs.



CAT. R-8403-43BC  
38 Inches  
83 Lbs.

## LIT BOLLARDS



CAT. R-8401-43CA  
38 Inches  
120 Lbs.



CAT. R-8401-43CB  
38 Inches  
100 Lbs.



CAT. R-8401-43CC  
38 Inches  
88 Lbs.



CAT. R-8402-43CA  
38 Inches  
113 Lbs.



CAT. R-8402-43CB  
38 Inches  
93 Lbs.



CAT. R-8402-43CC  
38 Inches  
81 Lbs.



CAT. R-8403-43CA  
38 Inches  
120 Lbs.



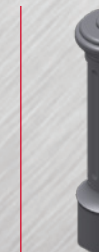
CAT. R-8403-43CB  
38 Inches  
100 Lbs.



CAT. R-8403-43CC  
38 Inches  
88 Lbs.



CAT. R-8401-43DA  
36 Inches  
118 Lbs.



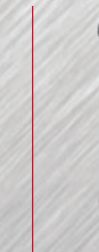
CAT. R-8401-43DB  
36 Inches  
98 Lbs.



CAT. R-8401-43DC  
36 Inches  
86 Lbs.



CAT. R-8402-43DA  
36 Inches  
111 Lbs.



CAT. R-8402-43DB  
36 Inches  
91 Lbs.



CAT. R-8402-43DC  
36 Inches  
79 Lbs.



CAT. R-8403-43DA  
36 Inches  
118 Lbs.



CAT. R-8403-43DB  
36 Inches  
98 Lbs.



CAT. R-8403-43DC  
36 Inches  
86 Lbs.




CASTING AMERICA SINCE 1872

TREE GRATES

MADE IN USA

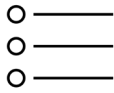
NEENAH  
FOUNDRY **NEF**



Since 1872, we at Neenah Foundry have dedicated ourselves to creating products that stand the test of time. Our full line of cast iron tree grates and fabricated steel tree guards continues to be the strongest, most cost-effective solution for protecting and complementing trees in urban environments.

With quality tree grate castings produced entirely in the USA, architects and landscape designers can specify Neenah Foundry with confidence, and choose from the largest selection of tree grates in the industry. Our products aren't just made in America—they make America. Because America is Built on Neenah.

# TABLE OF CONTENTS



Metropolitan Collection	pg 4-5
Boulevard Collection	pg 6-7
Avenue Collection	pg 8-9
Riverwalk Collection	pg 10-11
Greenwich Collection	pg 12
Terrace Collection	pg 13
Parkway Collection	pg 14-15
Adirondack Collection	pg 16-17
Capitol Collection	pg 18
Majestic Collection	pg 19
Distinctive Collection	pg 20-25
Retrofit Collection	pg 26-27
Installation	pg 28-29
Custom Castings	pg 30
Tree Guards	pg 31
Reference Guides	pg 32-33

# PRODUCT OVERVIEW



## GENERAL

Tree grates and frames are made from cast iron.

## MATERIAL

Gray iron castings conform to A.S.T.M. A-48, Class 35 or better.

## FINISH

All castings are manufactured true to pattern, and component parts fit together seamlessly. They are all high quality; free from blowholes, porosity, hard spots, shrinkage distortion or other defects. They can be cleaned by blasting.

## TREE GRATE OPENINGS

All tree grate openings are expandable unless otherwise noted. See reference chart for additional details.

## PAINT

Tree grates and frames are furnished without paint or primer as the standard.

## SUBMITTALS

Manufacturer's shop drawings are submitted to the architect/engineer for approval prior to manufacturing. The architect/engineer can reject castings that don't conform to their specifications and/or approved submittal drawings.

## 2-PIECE TREE GRATES

Neenah is well known in the industry as a manufacturer of two-piece tree grates. We recommend using two-piece (180 degree section) tree grates for optimal stability and longevity.

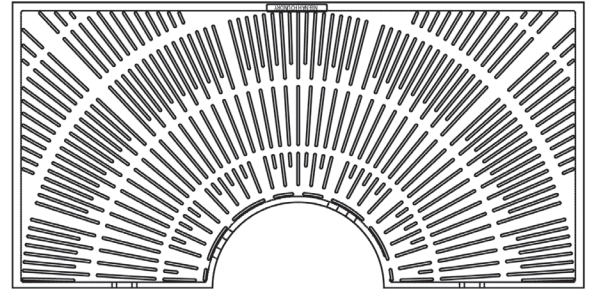
The Architect or Engineer must specify a tree grate number and frame if required. Paint requirements and security bolting requirements must also be specified.

Contact your local Neenah Foundry representative or our Inside Service Sales staff for complete details and submittal drawings of our entire tree grate line.

# METROPOLITAN COLLECTION

## SQUARE

SERIES NO.	GRATE SIZE	AVAILABLE TREE OPENING SIZES	SLOT SIZE
R-8706-1A	48" x 48"	18", 24" dia.	0.25"
R-8707	60" x 60"	18", 24" dia.	0.25"
R-8709-A	72" x 72"	16", 24" dia.	0.25"
R-8784	96" x 96"	26" dia.	0.25"



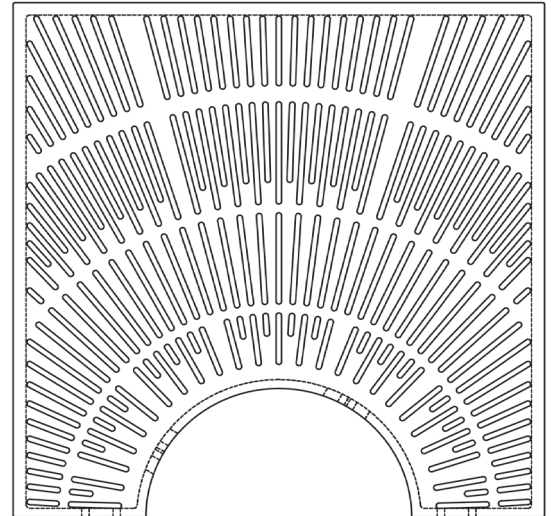
R-8707

### DETAILS

- Available with light openings: R-8706-1A, R-8707, R-8709-A, R-8784
- R-8707 available without tree opening

## RECTANGLE

SERIES NO.	GRATE SIZE	AVAILABLE TREE OPENING SIZES	SLOT SIZE
R-8835	36" x 48"	12" dia.	0.25"
R-8884	36" x 72"	16" dia.	0.25"
R-8809	36" x 72"	18" dia.	0.375"
R-8815-1	48" x 72"	18", 24" dia.	0.25"
R-8815-A	48" x 96"	18", 26" dia.	0.25"
R-8815-B	48" x 120"	18" dia.	0.25"



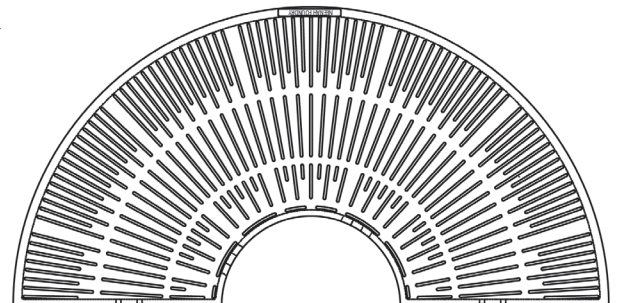
R-8809

### DETAILS

- Available with light openings: R-8815-A

## CIRCLE

SERIES NO.	GRATE SIZE	AVAILABLE TREE OPENING SIZES	SLOT SIZE
R-8830-A1	48" round	18" dia.	0.25"
R-8834	36" round	12" dia.	0.25"
R-8870	60" round	18" dia.	0.25"
R-8880-A	72" round	24", 36" dia.	0.25"
R-8883	96" round	28" dia.	0.25"



R-8870

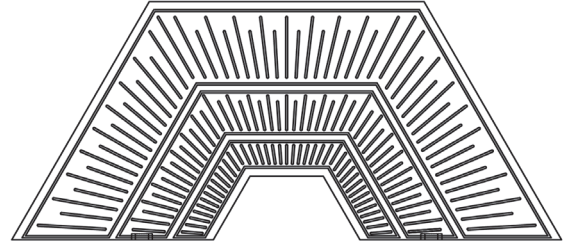
### DETAILS

- Available with light openings: R-8830-A1, R-8834, R-8870, R-8880-A, R-8883

# METROPOLITAN COLLECTION

## HEXAGON

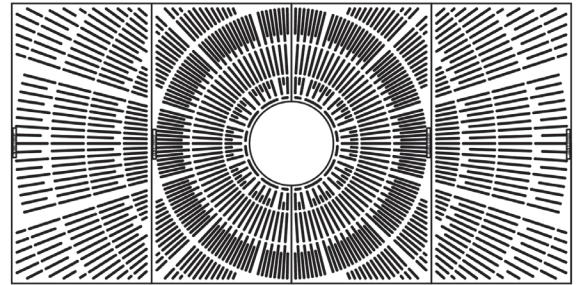
SERIES NO.	GRATE SIZE	AVAILABLE TREE OPENING SIZES	SLOT SIZE
R-8965	60" Hex	16" dia.	0.25"



R-8965

## EXTENDED

SERIES NO.	GRATE SIZE	AVAILABLE TREE OPENING SIZES	SLOT SIZE
R-8836	36" x 96"	12" dia.	0.25"
R-8824	36" x 108"	12" dia.	0.25"
R-8884-A	36" x 144"	16" dia.	0.25"
R-8817	48" x 108"	18", 24" dia.	0.25"
R-8815-B4	48" x 120"	18" dia.	0.25"
R-8815	48" x 144"	18" dia.	0.25"
R-8823	60" x 120"	18", 24" dia.	0.25"



R-8823

## DETAILS

• Available with light openings: R-8836, R-8817, R-8815-B4, R-8815



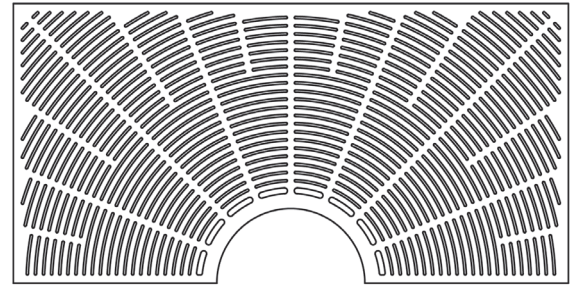
# BOULEVARD COLLECTION

## SQUARE

SERIES NO.	GRATE SIZE	AVAILABLE TREE OPENING SIZES	SLOT SIZE
R-8708	48" x 48"	16", 20", 24" dia.	0.25"
R-8713	60" x 60"	16", 18", 24", 36" dia.	0.25"
R-8716	72" x 72"	16", 36" dia.	0.375"

### DETAILS

- Available with light openings: R-8708, R-8713, R-8716
- R-8713 available without tree opening



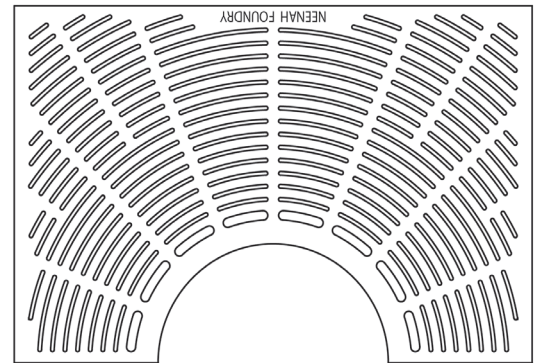
R-8713

## RECTANGLE

SERIES NO.	GRATE SIZE	AVAILABLE TREE OPENING SIZES	SLOT SIZE
R-8811	48" x 72"	12", 16", 18", 22", 24" dia.	0.25"
R-8814-A	36" x 48"	16" dia.	0.25"

### DETAILS

- Available with light openings: R-8811, R-8814-A



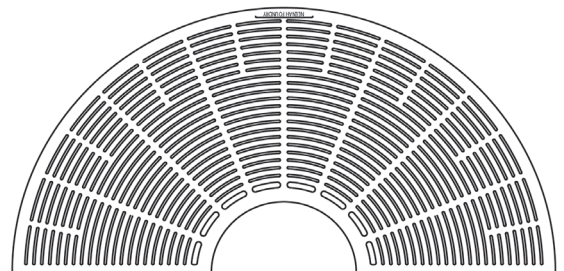
R-8814-A

## CIRCLE

SERIES NO.	GRATE SIZE	AVAILABLE TREE OPENING SIZES	SLOT SIZE
R-8832-A	48" round	16", 20" dia	0.25"
R-8838-A	60" round	16", 18", 24" dia.	0.25"

### DETAILS

- Available with light openings: R-8832-A, R-8838-A

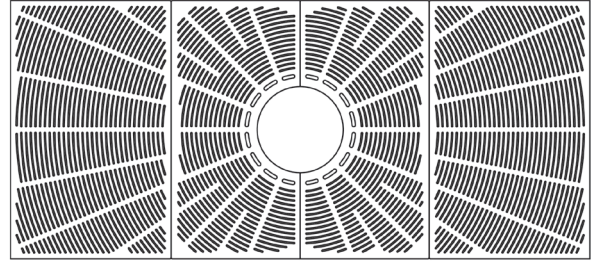


R-8838-A

# BOULEVARD COLLECTION

## EXTENDED

SERIES NO.	GRATE SIZE	AVAILABLE TREE OPENING SIZES	SLOT SIZE
R-8813	48" x 108"	16", 20", 24" dia.	0.25"
R-8811-A	60" x 84"	16" dia.	0.375"
R-8816	60" x 96"	16", 18", 24", 36" dia.	0.25"
R-8711	96" x 96"	16" dia.	0.375"



R-8813

## DETAILS

Available with light openings: R-8813, R-8811-A, R-8816, R-8711



BOULEVARD COLLECTION

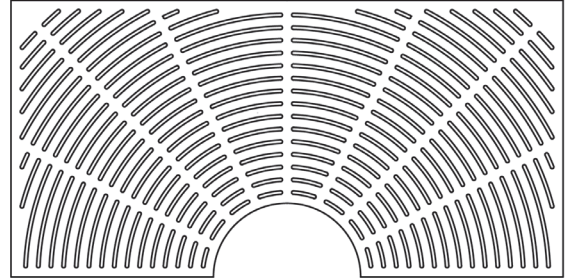
# AVENUE COLLECTION

## SQUARE

SERIES NO.	GRATE SIZE	AVAILABLE TREE OPENING SIZES	SLOT SIZE
R-8704	30" x 30"	12", 14" dia.	0.25"
R-8704-A	36" x 36"	12", 16" dia.	0.25"
R-8710	48" x 48"	12", 16", 24" dia.	0.375"
R-8712	60" x 60"	16" dia.	0.375"
R-8715	72" x 72"	16" dia.	0.25"

### DETAILS

• Available with light openings: R-8704-A, R-8710, R-8712, R-8715



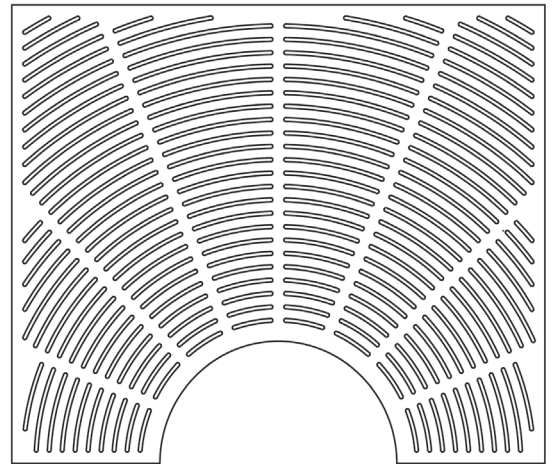
R-8712

## RECTANGLE

SERIES NO.	GRATE SIZE	AVAILABLE TREE OPENING SIZES	SLOT SIZE
R-8810	36" x 60"	16" dia.	0.25"

### DETAILS

• Available with light openings: R-8810



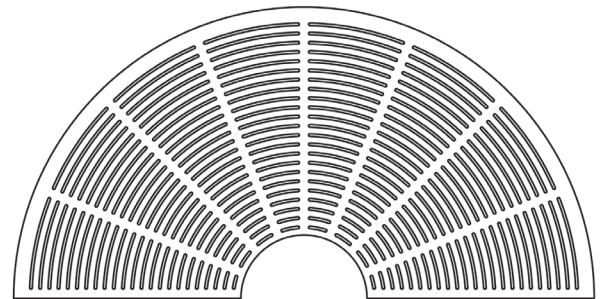
R-8810

## CIRCLE

SERIES NO.	GRATE SIZE	AVAILABLE TREE OPENING SIZES	SLOT SIZE
R-8881	30" round	12" dia.	0.25"
R-8872	55.25" round	12" dia.	0.25"
R-8876	72" round	16", 18" dia.	0.25"

### DETAILS

• Available with light openings: R-8881, R-8876



R-8872



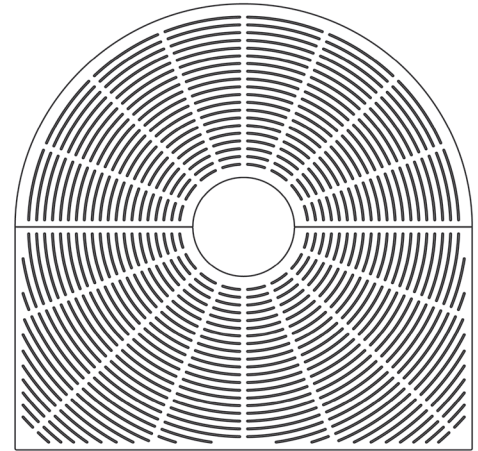
# AVENUE COLLECTION

## COMBO

SERIES NO.	GRATE SIZE	AVAILABLE TREE OPENING SIZES	SLOT SIZE
R-8939	72" Combo	16" dia.	0.25"

## DETAILS

Available with light openings: R-8939



R-8939



AVENUE COLLECTION

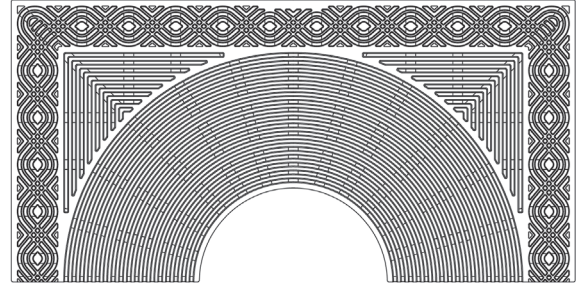
# RIVERWALK COLLECTION

## SQUARE WITH CIRCULAR OPENING

SERIES NO.	GRATE SIZE	AVAILABLE TREE OPENING SIZES	SLOT SIZE
R-8775	72" x 72"	24" dia.	0.375"
R-8788	60" x 60"	14" dia	0.375"

### DETAILS

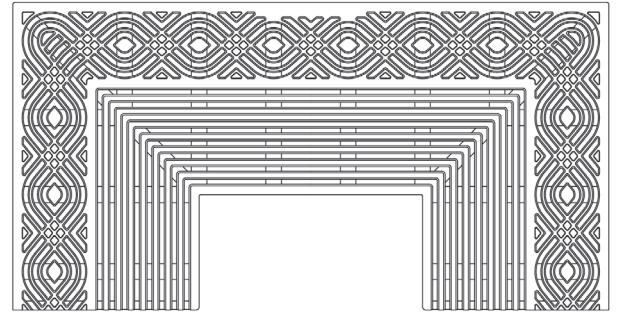
• Available with light openings: R-8775



R-8775

## SQUARE WITH SQUARE OPENING

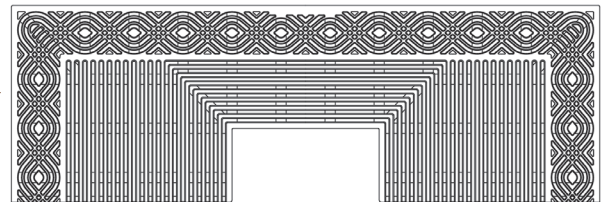
SERIES NO.	GRATE SIZE	AVAILABLE TREE OPENING SIZES	SLOT SIZE
R-8781	48" x 48"	18" x 18" square	0.375"
R-8852	60" x 60"	18" x 18" square	0.375"



R-8781

## RECTANGLE

SERIES NO.	GRATE SIZE	AVAILABLE TREE OPENING SIZES	SLOT SIZE
R-8850	48" x 72"	18" x 18" square	0.375"

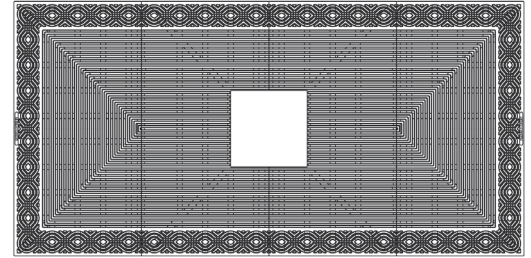


R-8850

# RIVERWALK COLLECTION

## EXTENDED

SERIES NO.	GRATE SIZE	AVAILABLE TREE OPENING SIZES	SLOT SIZE
R-8828	60"x 120"	18" x 18" square	0.375"



R-8828



RIVERWALK COLLECTION

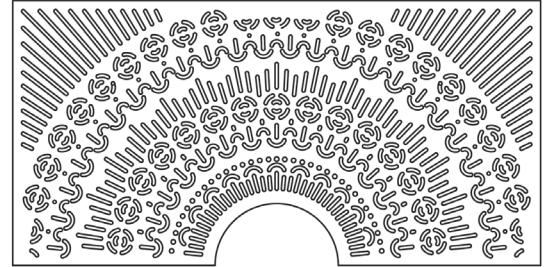
# GREENWICH COLLECTION

## SQUARE

SERIES NO.	GRATE SIZE	AVAILABLE TREE OPENING SIZES	SLOT SIZE
R-8757	48" x 48"	14" dia.	0.375"
R-8754-1	60" x 60"	14" dia.	0.375"

### DETAILS

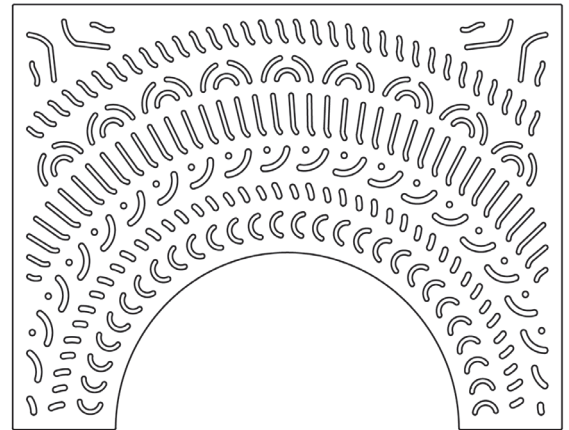
• Available with light openings: R-8757, R-8754-1



R-8754-1

## RECTANGLE

SERIES NO.	GRATE SIZE	AVAILABLE TREE OPENING SIZES	SLOT SIZE
R-8819	48" x 72"	30" dia.	0.375"



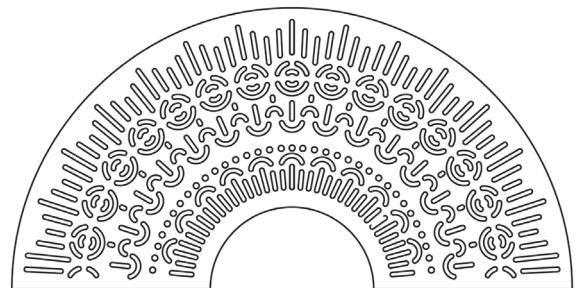
R-8819

## CIRCLE

SERIES NO.	GRATE SIZE	AVAILABLE TREE OPENING SIZES	SLOT SIZE
R-8874	48" round	14" dia.	0.375"

### DETAILS

• Available with light openings: R-8874

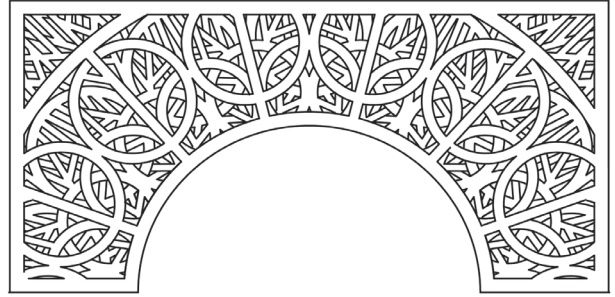


R-8874

# TERRACE COLLECTION

## SQUARE

SERIES NO.	GRATE SIZE	AVAILABLE TREE OPENING SIZES
R-8785	42" x 42"	18", 24" dia.



R-8785

## SQUARE

SERIES NO.	GRATE SIZE	AVAILABLE TREE OPENING SIZES
R-8786	48" x 48"	16", 20", 24" dia.
R-8786-B	72" x 72"	16" dia.



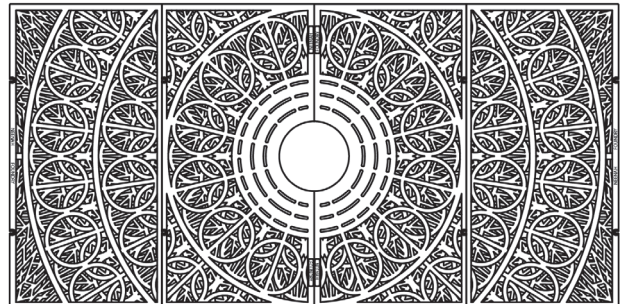
R-8786

### DETAILS

• Available with light openings: R-8786-B

## EXTENDED

SERIES NO.	GRATE SIZE	AVAILABLE TREE OPENING SIZES
R-8822	48" x 96"	11" dia.



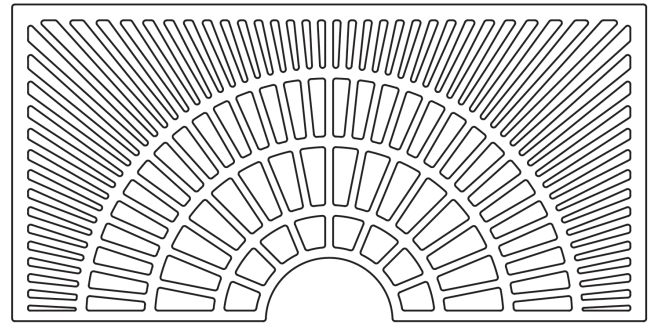
R-8822

TERRACE COLLECTION

# PARKWAY COLLECTION

## SQUARE

SERIES NO.	GRATE SIZE	AVAILABLE TREE OPENING SIZES
R-8726	48" x 48"	12" dia.
R-8728-A	60" x 60"	15.75", 32" dia.
R-8734	60" x 60"	12" dia.
R-8738-A2	60" x 60"	16" dia.
R-8738-2	72" x 72"	16" dia.
R-8740-1	72" x 72"	20" dia.



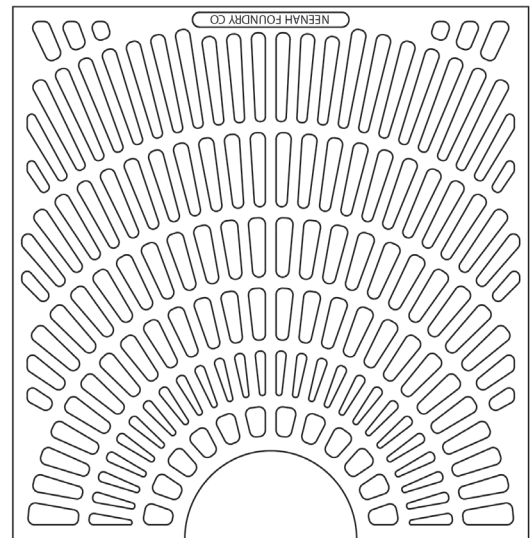
R-8734

### DETAILS

• Available with light openings: R-8726, R-8738-A2, R-8738-2

## RECTANGLE

SERIES NO.	GRATE SIZE	AVAILABLE TREE OPENING SIZES
R-8808	36" x 72"	12", 18", 24" dia.
R-8802-A	48" x 72"	18" dia.
R-8812	48" x 96"	18" dia.
R-8806-1A	48" x 120"	12" dia.



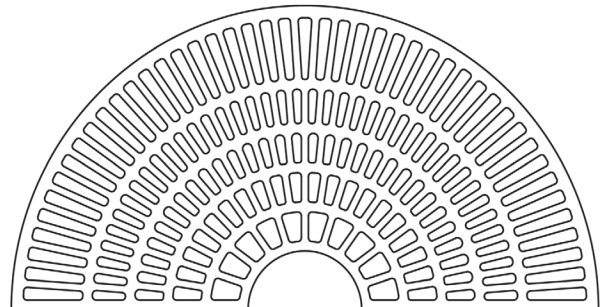
R-8808

### DETAILS

• Available with light openings: R-8808, R-8802-A, R-8806-1A

## CIRCLE

SERIES NO.	GRATE SIZE	AVAILABLE TREE OPENING SIZES
R-8847	50" round	12" dia.
R-8855-2	54" round	16" dia.
R-8849	56" round	12" dia.
R-8851	66" round	12" dia.
R-8855-1	72" round	16" dia.



R-8849

### DETAILS

• Available with light openings: R-8855-1

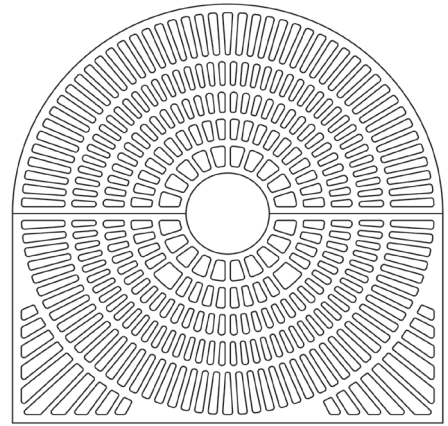
# PARKWAY COLLECTION

## COMBO

SERIES NO.	GRATE SIZE	AVAILABLE TREE OPENING SIZES
R-8929	62" Combo	12" dia.
R-8931-1	72" Combo	16" dia.

## DETAILS

• Available with light openings: R-8931-1



R-8929



PARKWAY COLLECTION

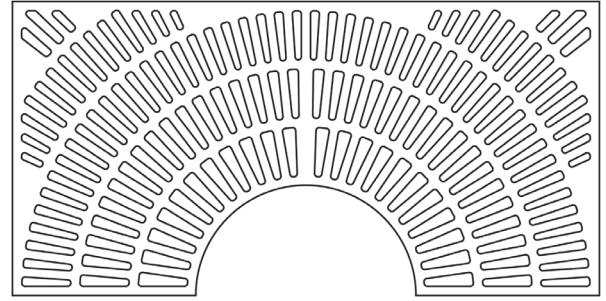
# ADIRONDACK COLLECTION

## SQUARE

SERIES NO.	GRATE SIZE	AVAILABLE TREE OPENING SIZES
R-8742	48" x 48"	18" dia.
R-8742-A	60" x 60"	18" dia.

### DETAILS

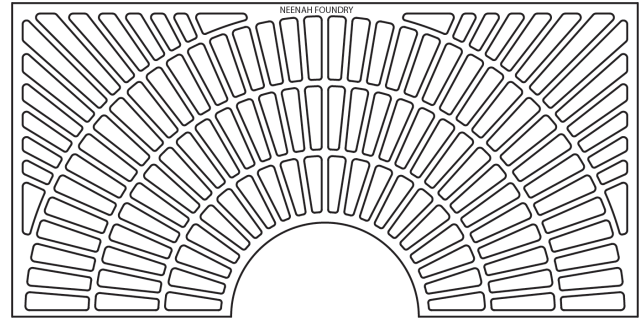
• Available with light openings: R-8742, R-8742-A



R-8742

## SQUARE

SERIES NO.	GRATE SIZE	AVAILABLE TREE OPENING SIZES
R-8746-A	60" x 60"	18" dia.



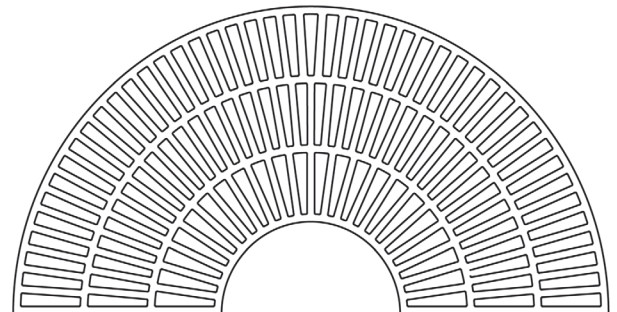
R-8746-A

## CIRCLE

SERIES NO.	GRATE SIZE	AVAILABLE TREE OPENING SIZES
R-8827	32" Round	12" dia.
R-8827-A1	40" Round	12", 14" dia.
R-8829	42" Round	10" dia.
R-8833	50" Round	12" dia.
R-8837-A	60" Round	18" dia.
R-8860	93" Round	40" dia.

### DETAILS

• Available with light openings: R-8827-A1, R-8833, R-8860



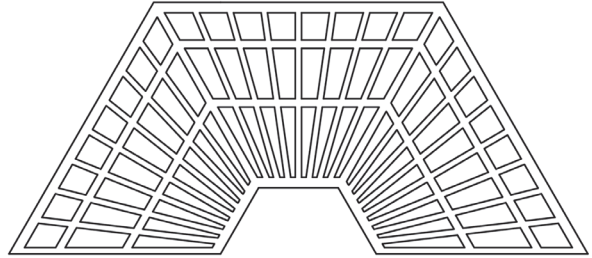
R-8837-A



# ADIRONDACK COLLECTION

## HEXAGON

SERIES NO.	GRATE SIZE	AVAILABLE TREE OPENING SIZES
R-8950	44.5" Hexagon	16.5" hexagon
R-8955	60" Hexagon	16" hexagon



R-8955



ADIRONDACK COLLECTION

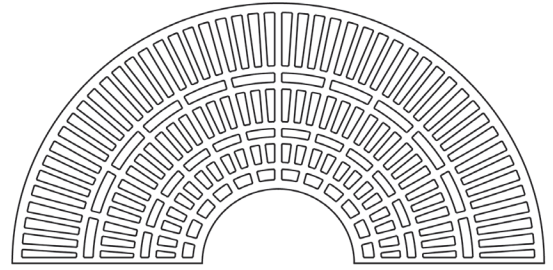
# CAPITOL COLLECTION

## CIRCLE

SERIES NO.	GRATE SIZE	AVAILABLE TREE OPENING SIZES
R-8843	56" Round	16" dia.
R-8843-A	58.5" Round	18" dia.
R-8839	75" Round	18" dia.

### DETAILS

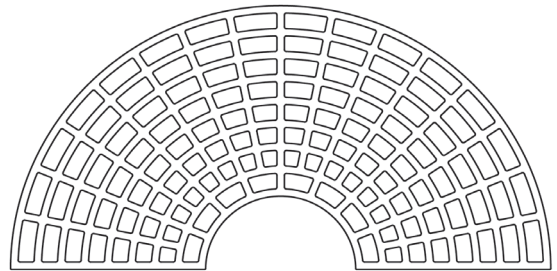
• Available with light openings: R-8843, R-8839



R-8843

## CIRCLE

SERIES NO.	GRATE SIZE	AVAILABLE TREE OPENING SIZES
R-8857	72" Round	20" dia.
R-8861	96" Round	28" dia.



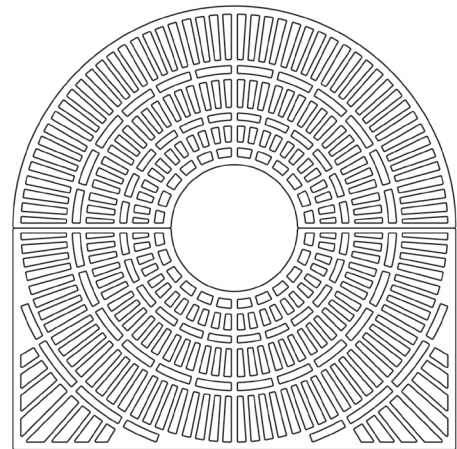
R-8857

## COMBO

SERIES NO.	GRATE SIZE	AVAILABLE TREE OPENING SIZES
R-8927	56" Combo	16" dia.

### DETAILS

• Available with light openings: R-8927



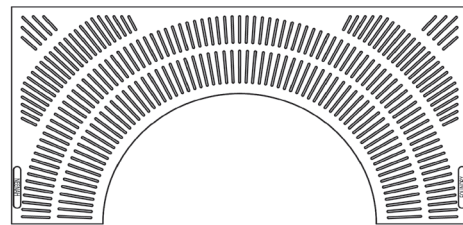
R-8927



# MAJESTIC COLLECTION

## SQUARE

SERIES NO.	GRATE SIZE	AVAILABLE TREE OPENING SIZES	SLOT SIZE
R-8719	48" x 48"	32" dia.	0.25"
R-8717	60" x 60"	36" dia.	0.25"
--R-8717-A	60" x 60"	16" dia.	0.25"
R-8718	72" x 72"	36" dia.	0.25"
--R-8718-A	72" x 72"	16" dia.	0.25"



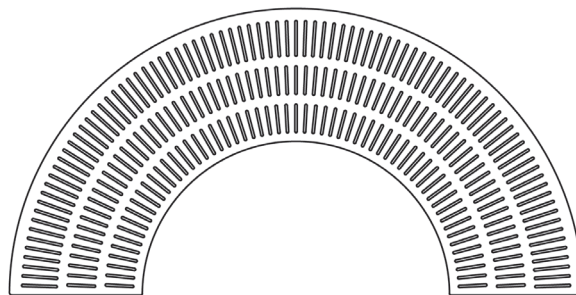
R-8717

### DETAILS

- Available with light openings: R-8718, R-8718-A
- R-8717-A and R-8718-A use reducer grates for smaller tree opening

## CIRCLE

SERIES NO.	GRATE SIZE	AVAILABLE TREE OPENING SIZES	SLOT SIZE
R-8871	60" round	16", 32" dia.	0.25"



R-8871

### DETAILS

- Available with light openings: R-8871

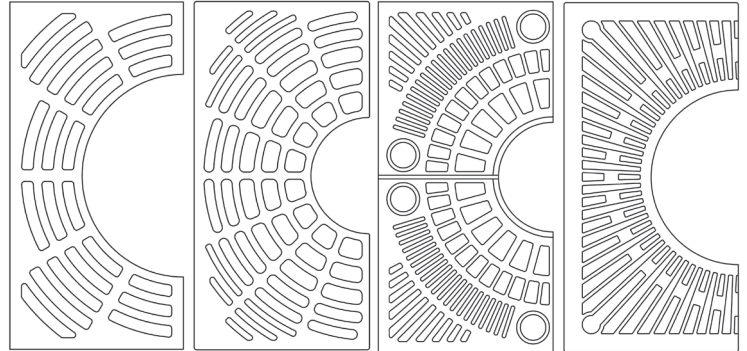
MAJESTIC COLLECTION



# DISTINCTIVE COLLECTION

## SQUARE

SERIES NO.	GRATE SIZE	AVAILABLE TREE OPENING SIZES
R-8700	30" x 30"	17.5" dia.
R-8702-A	36" x 36"	12" dia.
R-8721-A	48" x 48"	15" dia.
R-8750	48" x 48"	24" dia.



R-8700

R-8702-A

R-8721-A

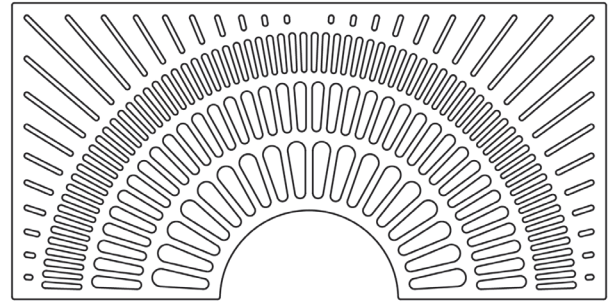
R-8750

## SQUARE

SERIES NO.	GRATE SIZE	AVAILABLE TREE OPENING SIZES
R-8752-2	48" x 48"	12" dia.
R-8752-A	60" x 60"	18" dia.
R-8752-B	60" x 60"	24" dia.

### DETAILS

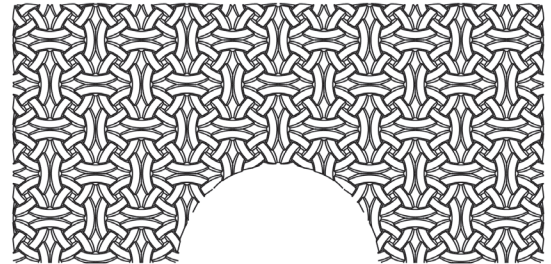
• Available with light openings: R-8752-2



R-8752-A

## SQUARE

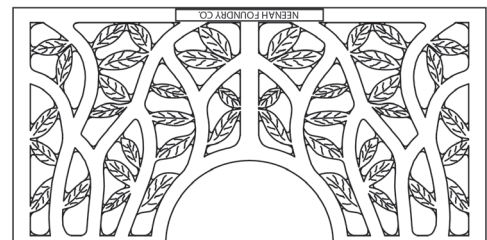
SERIES NO.	GRATE SIZE	AVAILABLE TREE OPENING SIZES
R-8759	48" x 48"	16" dia.



R-8759

## SQUARE

SERIES NO.	GRATE SIZE	AVAILABLE TREE OPENING SIZES
R-8730	48" x 48"	17" dia.

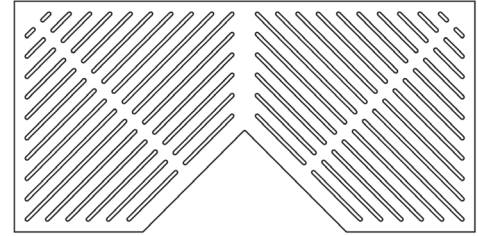


R-8730

# DISTINCTIVE COLLECTION

## SQUARE

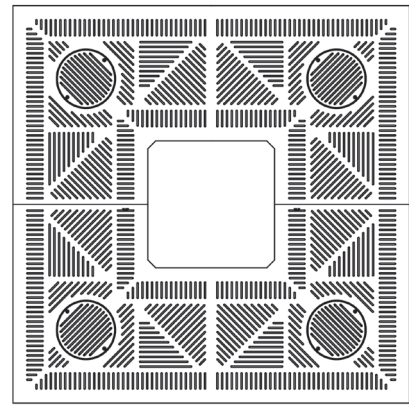
SERIES NO.	GRATE SIZE	AVAILABLE TREE OPENING SIZES	SLOT SIZE
R-8724-A	48" x 48"	15" square	0.375"



R-8724-A

## SQUARE

SERIES NO.	GRATE SIZE	AVAILABLE TREE OPENING SIZES	SLOT SIZE
R-8737-B	72" x 72"	23" square	0.25"
R-8737-C	60" x 60"	23", 30" square	0.25"



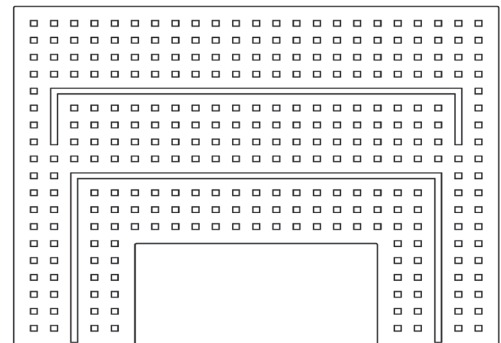
R-8737-B

### DETAILS

Available with light openings: R-8737-B, R-8737-C

## RECTANGLE

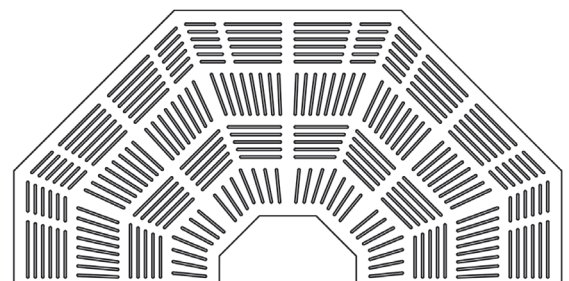
SERIES NO.	GRATE SIZE	AVAILABLE TREE OPENING SIZES
R-8820	36" x 60"	18" square



R-8820

## OCTAGON

SERIES NO.	GRATE SIZE	AVAILABLE TREE OPENING SIZES
R-8953	64" Octagon	16" octagon

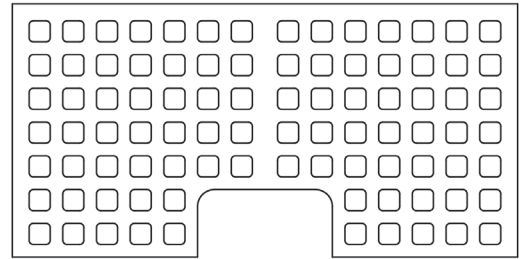


R-8953

# DISTINCTIVE COLLECTION

## SQUARE

SERIES NO.	GRATE SIZE	AVAILABLE TREE OPENING SIZES
R-8760	60" x 60"	16", 24" square



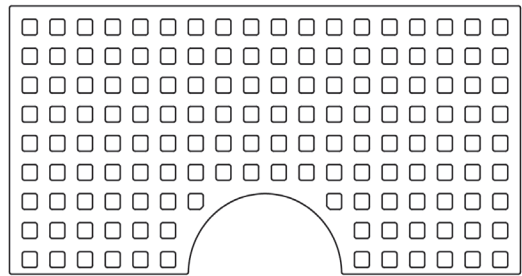
R-8760

## SQUARE

SERIES NO.	GRATE SIZE	AVAILABLE TREE OPENING SIZES
R-8762	60" x 60"	18" dia.
R-8762-A	72" x 72"	18" square

### DETAILS

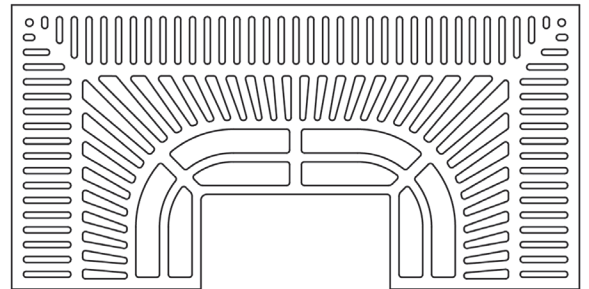
• Available with light openings: R-8762



R-8762

## SQUARE

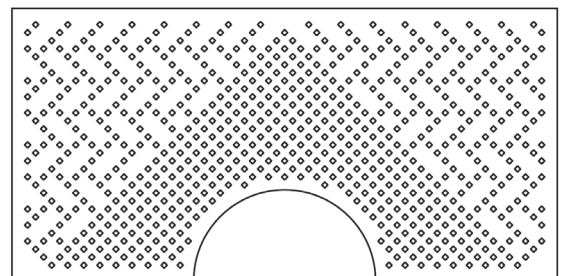
SERIES NO.	GRATE SIZE	AVAILABLE TREE OPENING SIZES
R-8768	48" x 48"	16" dia.



R-8768

## SQUARE

SERIES NO.	GRATE SIZE	AVAILABLE TREE OPENING SIZES	SLOT SIZE
R-8770	48" x 48"	16" dia.	0.5"

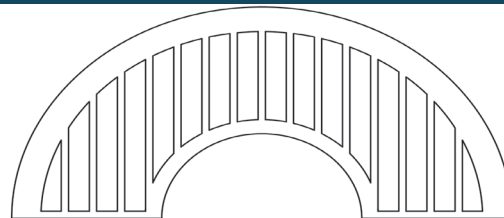


R-8770

# DISTINCTIVE COLLECTION

## CIRCLE

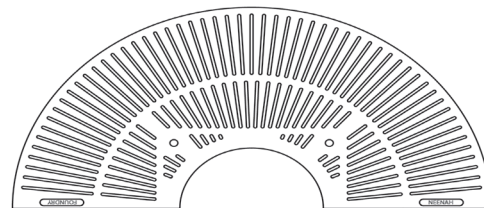
SERIES NO.	GRATE SIZE	AVAILABLE TREE OPENING SIZES
R-8825	30" Round	12" dia.



R-8825

## CIRCLE

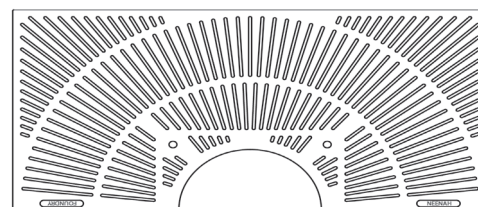
SERIES NO.	GRATE SIZE	AVAILABLE TREE OPENING SIZES	SLOT SIZE
R-8869-A	60" Round	18" dia.	0.375"



R-8869

## SQUARE

SERIES NO.	GRATE SIZE	AVAILABLE TREE OPENING SIZES	SLOT SIZE
R-8714-A	60" x 60"	18" dia.	0.375"



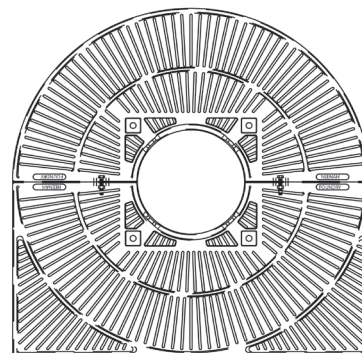
R-8714-A

### DETAILS

• Available with light openings: R-8714-A

## COMBO

SERIES NO.	GRATE SIZE	AVAILABLE TREE OPENING SIZES	SLOT SIZE
R-8933-A	60" Combo	18" dia.	0.375"



R-8933-A

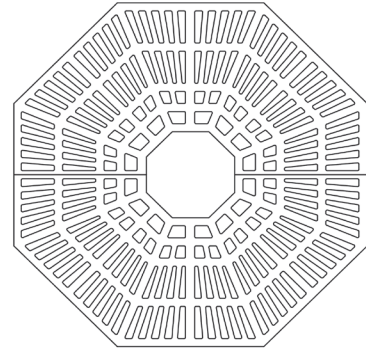
# DISTINCTIVE COLLECTION

## OCTAGON

SERIES NO.	GRATE SIZE	AVAILABLE TREE OPENING SIZES
R-8952	64" Octagon	16" octagon

### DETAILS

• Available with light openings: R-8952



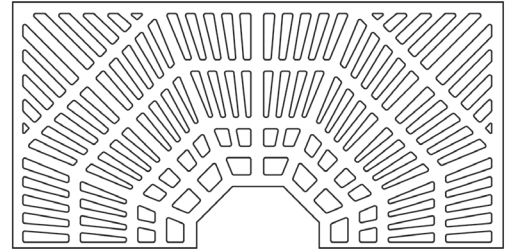
R-8952

## SQUARE

SERIES NO.	GRATE SIZE	AVAILABLE TREE OPENING SIZES
R-8766	64" x 64"	16" octagon

### DETAILS

• Available with light openings: R-8766



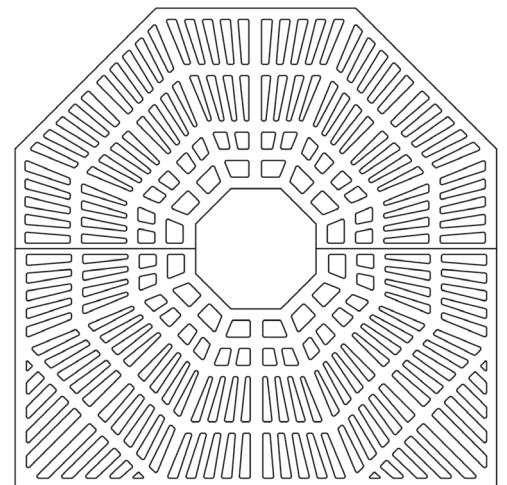
R-8766

## COMBO

SERIES NO.	GRATE SIZE	AVAILABLE TREE OPENING SIZES
R-8937	64" Combo	16" octagon

### DETAILS

• Available with light openings: R-8937



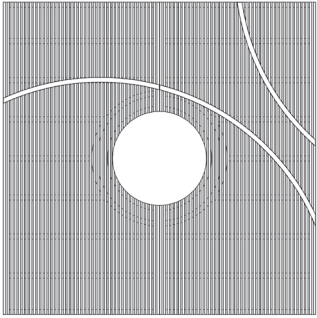
R-8937



# DISTINCTIVE COLLECTION

## SQUARE

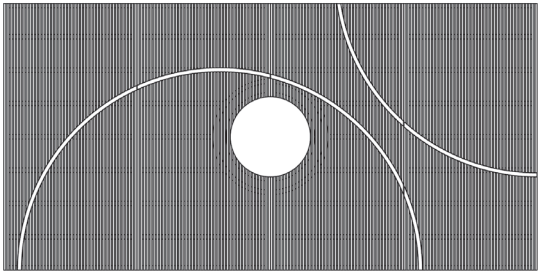
SERIES NO.	GRATE SIZE	AVAILABLE TREE OPENING SIZES
R-8787	60" x 60"	18" dia.



R-8787

## EXTENDED

SERIES NO.	GRATE SIZE	AVAILABLE TREE OPENING SIZES
R-8826	60" x 120"	18" dia.



R-8826

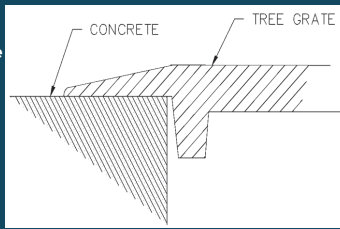


DISTINCTIVE COLLECTION

# RETROFIT COLLECTION

## RETROFIT DETAIL

Developed specifically for use in an existing paved area, the RETROFIT collection is a popular alternative to poured-in-place grates. Level concrete can simply be cut to the necessary opening size. The overlapping edge covers any minor irregularities in the cut.

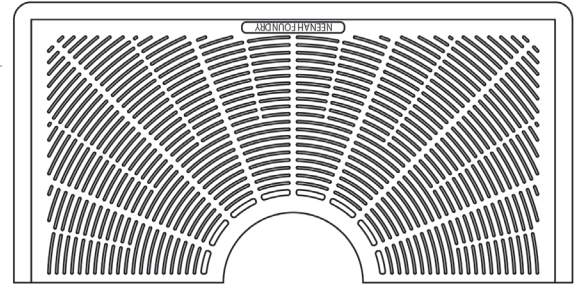


## SQUARE

SERIES NO.	GRATE SIZE	AVAILABLE TREE OPENING SIZES	SLOT SIZE
R-9003	40" x 40"	16" dia.	0.25"
R-9002	52" x 52"	16", 26", 30" dia.	0.25"
R-9002-A	64" x 64"	16", 24" dia.	0.25"

## DETAILS

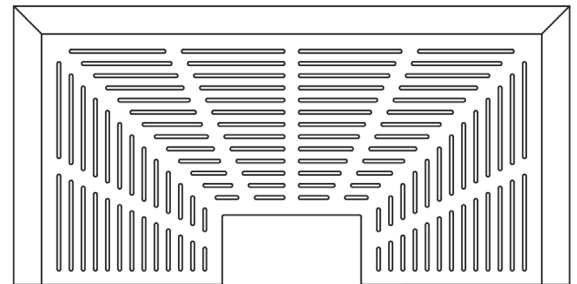
• Available with light openings: R-9002, R-9002-A



R-9002

## SQUARE

SERIES NO.	GRATE SIZE	AVAILABLE TREE OPENING SIZES	SLOT SIZE
R-9005	40" x 40"	10" dia.	0.25"



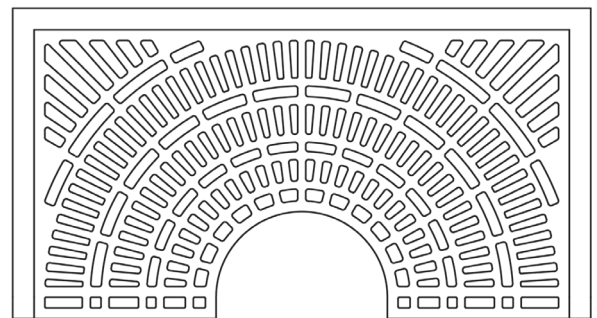
R-9005

## SQUARE

SERIES NO.	GRATE SIZE	AVAILABLE TREE OPENING SIZES
R-9101-A	54" x 54"	16" dia.
R-9004-1	62" x 62"	16", 32" dia.

## DETAILS

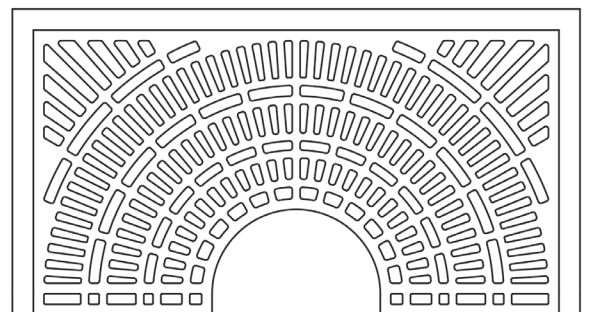
• Available with light openings: R-9004-1



R-9101-A

## RECTANGLE

SERIES NO.	GRATE SIZE	AVAILABLE TREE OPENING SIZES
R-9101	59" x 54"	16" oval

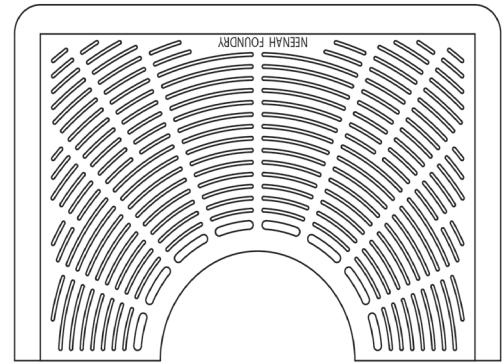


R-9101

# RETROFIT COLLECTION

## RECTANGLE

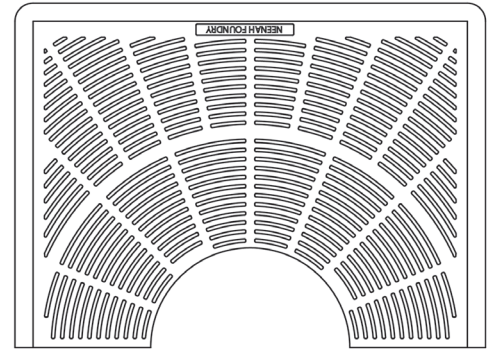
SERIES NO.	GRATE SIZE	AVAILABLE TREE OPENING SIZES	SLOT SIZE
R-9105	36" x 72"	16" dia.	0.25"
R-9106	40" x 52"	16" dia.	0.25"



R-9106

## RECTANGLE

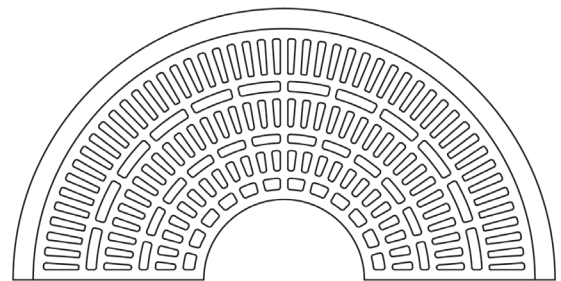
SERIES NO.	GRATE SIZE	AVAILABLE TREE OPENING SIZES	SLOT SIZE
R-9108	52" x 76"	22" dia.	0.375"



R-9108

## CIRCLE

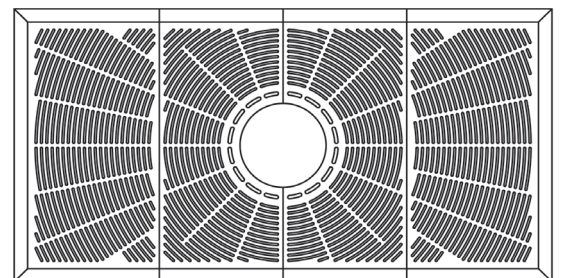
SERIES NO.	GRATE SIZE	AVAILABLE TREE OPENING SIZES
R-9001	54" Round	16" dia.



R-9001

## EXTENDED

SERIES NO.	GRATE SIZE	AVAILABLE TREE OPENING SIZES	SLOT SIZE
R-9107	52" x 100"	16" dia.	0.375"



R-9107

RETROFIT COLLECTION

# INSTALLATION PROCEDURES

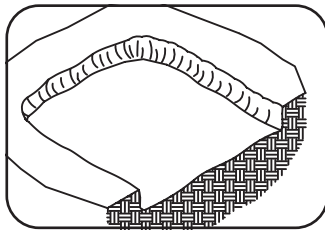
Neenah's tree grate frames are designed to make the installation job easy and accurate. Our frames can be incorporated into your forms in just minutes. The seat of the frame should be cleaned prior to setting the grate. Grate halves are to be bolted together on the underside using the bolt slots provided.

ALL OR ANY PART OF THE PRECEDING SPECIFICATIONS AND PROCEDURES MAY BE INCORPORATED IN YOUR PROJECT DOCUMENTS.

## FOR POURED CONCRETE INSTALLATIONS (Neenah tree grates and R-8500 Type U frames)

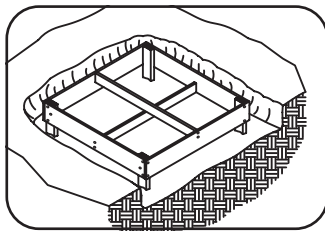
### STEP 1:

Excavate tree pit.



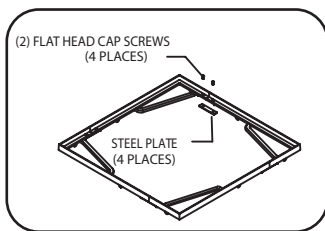
### STEP 2:

Place wood frame within excavation. Set at proper grade. Make form outside dimension 45.75" x 45.75" for 48" x 48" grate, 57.75" x 57.75" for 60" x 60" grate or 69.75" x 69.75" for 72" x 72" grate.



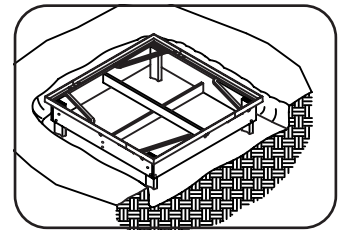
### STEP 3:

Assemble the R-8500 Type U tree grate frame using the hardware provided. Make sure to tighten the countersunk flat-head screws so they are flush or below the bearing surface of the frame.



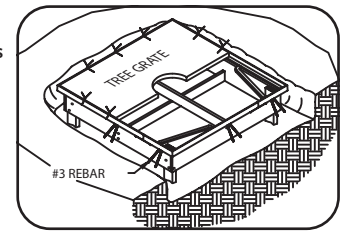
### STEP 4:

Place frame on wood form. Place both tree grate halves within the frame.



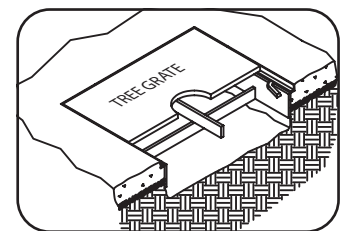
### STEP 5:

**IMPORTANT:** Wire grates, frames and form together. Check and adjust frame alignment and elevation if needed. Install #3 rebar through lugs on frame and support as required. Ensure there is a .1875" spacing between vertical faces of the frame and grate.



### STEP 6:

Pour and finish concrete. Do not remove tree grate or trim alignment wires until concrete has set up.



**NOTE: FAILURE TO FOLLOW THESE FORMING PROCEDURES COULD RESULT IN AN UNSATISFACTORY INSTALLATION.**

If you have any questions regarding installation or if you must deviate from the above instructions, contact the Neenah Product Engineering Department. Additional detailed installation information is available from your Neenah sales representative or from our website at

[www.neenahfoundry.com](http://www.neenahfoundry.com).

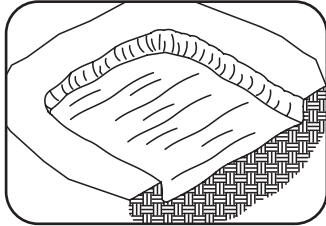
# INSTALLATION PROCEDURES

## FOR PAVING BLOCK INSTALLATIONS

(Neenah tree grates and R-8500 Type P frames)

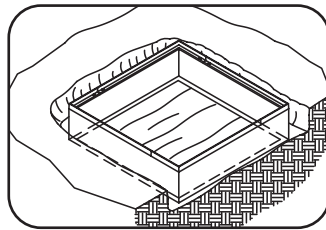
### STEP 1:

Excavate tree pit.



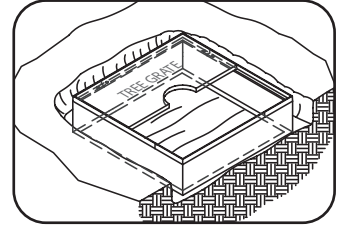
### STEP 2:

Place assembly within excavation. Set at proper grade.



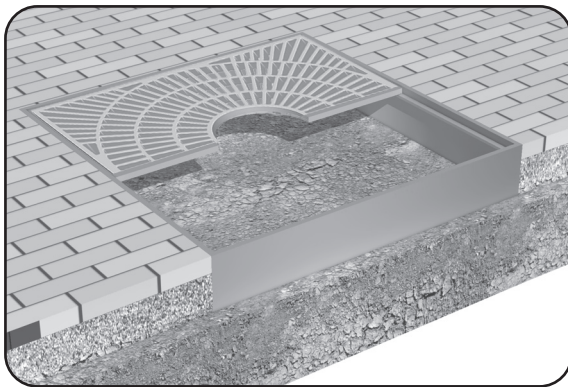
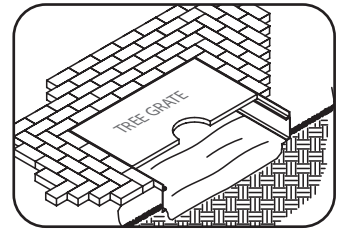
### STEP 3:

Place both tree grate halves within the frame.



### STEP 4:

Place setting bed and pavers, plant tree.



Example of R-8500 Type P frame.

**EXPANDABLE:** Neenah Foundry cast iron tree grates provide the advantage of being easily expandable without losing structural integrity. As trees grow throughout the years, the tree opening can be enlarged in increments to accommodate the larger trunk. The best method to expand the opening is through the use of an abrasive cutting wheel, notching the radial spokes at the junction of the expansion rings, then breaking away the discarded portion.

**NOTE: FAILURE TO FOLLOW THESE FORMING PROCEDURES COULD RESULT IN AN UNSATISFACTORY INSTALLATION.**

If you have any questions regarding installation or if you must deviate from the above instructions, contact the Neenah Product Engineering Department. Additional detailed installation information is available from your Neenah sales representative or from our website at

[www.neenahfoundry.com](http://www.neenahfoundry.com).

# CUSTOM CASTINGS

Does your company have a corporate insignia or municipal logo that you would like to incorporate into your architectural designs or construction project? Neenah Foundry has the ability to take your concepts and recreate them through Sidewalk Medallions, Tree Grate Logos and Custom Manhole Covers. This is a great opportunity to tie together a common municipal or corporate theme. Contact your Neenah sales representative with your ideas!

CUSTOM CASTINGS



# FABRICATED TREE GUARDS

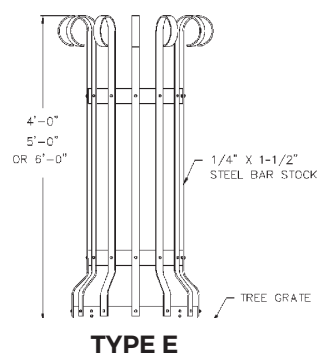
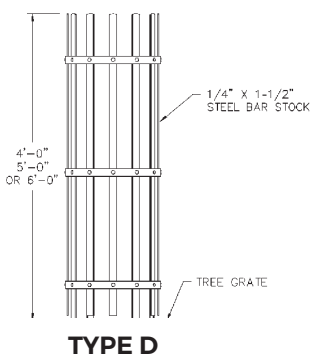
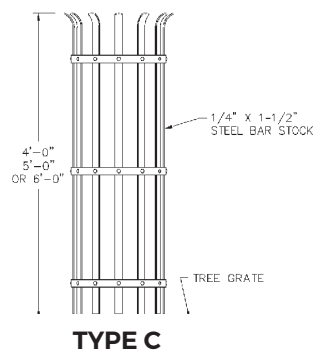
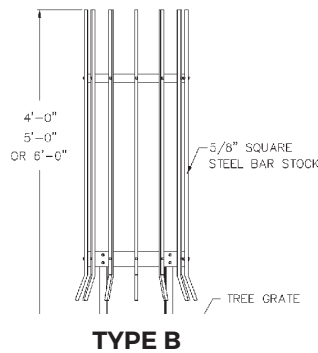
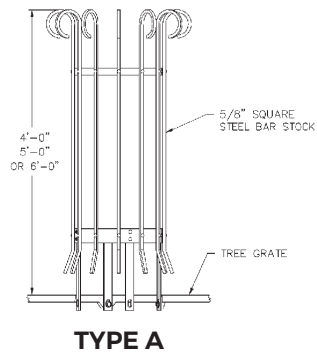
**SPECIAL NOTE:** Most tree grate units are furnished standard with four inconspicuous guard lugs on the underside to facilitate attachment of tree guards.

Neenah Tree Guards are manufactured from hot rolled, pickled and oiled mild steel in the five standard illustrated styles. Guards are designed to be attached in four places to bolting lugs which are integrally cast to the underside of the tree grate.

Neenah Tree Guards are manufactured using .5" flat and .625" square steel stock. Our use of these heavier materials sets Neenah's Tree Guards apart from the others, making for a stronger, more durable product.

Neenah furnishes guards completely assembled in two half sections. Guards are supplied with the vertical bars bolted to the rings. No tree guards are available for octagonal openings.

Tree guards are furnished with black powder coat paint  
(Minimum thickness 2-mils)



**SPECIFY WHEN ORDERING:**

1. Style
2. Dimension "L" (guard height as measured from top of grate - standard heights are 4', 5' or 6')
3. Tree opening diameter
4. Paint specifications if different from standard
5. Shop drawings for approval

# REFERENCE GUIDE (BY SIZE & SHAPE)

Items highlighted in blue do NOT have expandable tree openings

REFERENCE GUIDE BY SIZE & SHAPE

SIZE	CAT#	COLLECTION	PAGE	SIZE	CAT#	COLLECTION	PAGE	SIZE	CAT#	COLLECTION	PAGE
<b>RECTANGULAR</b>				60" x 60"	R-8788	Riverwalk	10	60"	R-8838-A	Boulevard	6
36" x 48"	R-8835	Metropolitan	4	60" x 60"	R-8852	Riverwalk	10	60"	R-8871	Majestic	19
36" x 48"	R-8814-A	Boulevard	6	60" x 60"	R-8754-1	Greenwich	12	60"	R-8837-A	Adirondack	16
36" x 60"	R-8810	Avenue	8	60" x 60"	R-8717	Majestic	19	60"	R-8869-A	Distinctive	23
36" x 60"	R-8820	Distinctive	21	60" x 60"	R-8717-A	Majestic	19	66"	R-8851	Parkway	14
36" x 72"	R-8884	Metropolitan	4	60" x 60"	R-8728-A	Parkway	14	72"	R-8880-A	Metropolitan	4
36" x 72"	R-8809	Metropolitan	4	60" x 60"	R-8734	Parkway	14	72"	R-8876	Avenue	8
36" x 72"	R-8808	Parkway	14	60" x 60"	R-8738-A2	Parkway	14	72"	R-8855-1	Parkway	14
36" x 72"	R-9105	Retrofit	27	60" x 60"	R-8742-A	Adirondack	16	72"	R-8857	Capitol	18
36" x 72"	R-9106	Retrofit	27	60" x 60"	R-8746-A	Adirondack	16	75"	R-8839	Capitol	18
40" x 52"	R-9108	Retrofit	27	60" x 60"	R-8752-A	Distinctive	20	93"	R-8860	Adirondack	16
48" x 72"	R-8815-1	Metropolitan	4	60" x 60"	R-8752-B	Distinctive	20	96"	R-8883	Metropolitan	4
48" x 72"	R-8811	Boulevard	6	60" x 60"	R-8737-C	Distinctive	21	96"	R-8861	Capitol	18
48" x 72"	R-8850	Riverwalk	10	60" x 60"	R-8760	Distinctive	22	<b>EXTENDED</b>			
48" x 72"	R-8819	Greenwich	12	60" x 60"	R-8762	Distinctive	22	36" x 96"	R-8836	Metropolitan	5
48" x 72"	R-8802-A	Parkway	14	60" x 60"	R-8714-A	Distinctive	23	36" x 108"	R-8824	Metropolitan	5
48" x 96"	R-8815-A	Metropolitan	4	60" x 60"	R-8787	Distinctive	25	36" x 144"	R-8884-A	Metropolitan	5
48" x 96"	R-8812	Parkway	14	62" x 62"	R-9004-1	Retrofit	26	48" x 96"	R-8822	Terrace	13
48" x 120"	R-8815-B	Metropolitan	4	64" x 64"	R-8766	Distinctive	24	48" x 108"	R-8817	Metropolitan	5
48" x 120"	R-8806-1A	Parkway	14	64" x 64"	R-9002-A	Retrofit	26	48" x 108"	R-8813	Boulevard	7
52" x 76"	R-9108	Retrofit	27	72" x 72"	R-8709-A	Metropolitan	4	48" x 120"	R-8815-B4	Metropolitan	5
59" x 54"	R-9101	Retrofit	26	72" x 72"	R-8716	Boulevard	6	48" x 144"	R-8815	Metropolitan	5
<b>SQUARE</b>				72" x 72"	R-8715	Avenue	8	52" x 100"	R-9107	Retrofit	27
30" x 30"	R-8704	Avenue	8	72" x 72"	R-8786-B	Terrace	13	60" x 84"	R-8811-A	Boulevard	7
30" x 30"	R-8700	Distinctive	20	72" x 72"	R-8775	Riverwalk	10	60" x 96"	R-8816	Boulevard	7
36" x 36"	R-8704-A	Avenue	8	72" x 72"	R-8718	Majestic	19	60" x 120"	R-8823	Metropolitan	5
36" x 36"	R-8702-A	Distinctive	20	72" x 72"	R-8718-A	Majestic	19	60" x 120"	R-8828	Riverwalk	11
40" x 40"	R-9003	Retrofit	26	72" x 72"	R-8738-2	Parkway	14	60" x 120"	R-8826	Distinctive	25
40" x 40"	R-9005	Retrofit	26	72" x 72"	R-8740-1	Parkway	14	96" x 96"	R-8711	Boulevard	7
42" x 42"	R-8785	Terrace	13	72" x 72"	R-8737-B	Distinctive	21	<b>MULTI-SIDED</b>			
48" x 48"	R-8706-1A	Metropolitan	4	72" x 72"	R-8762-A	Distinctive	22	44.5"	R-8950	Adirondack	17
48" x 48"	R-8708	Boulevard	6	96" x 96"	R-8784	Metropolitan	4	60"	R-8965	Metropolitan	5
48" x 48"	R-8710	Avenue	8	<b>ROUND</b>				60"	R-8955	Adirondack	17
48" x 48"	R-8781	Riverwalk	10	30"	R-8830-A1	Metropolitan	4	64"	R-8953	Distinctive	21
48" x 48"	R-8757	Greenwich	12	30"	R-8881	Avenue	8	64"	R-8952	Distinctive	24
48" x 48"	R-8786	Terrace	13	30"	R-8825	Distinctive	23	<b>COMBINATION</b>			
48" x 48"	R-8719	Majestic	19	32"	R-8827	Adirondack	16	56"	R-8927	Capitol	18
48" x 48"	R-8726	Parkway	14	36"	R-8834	Metropolitan	4	60"	R-8933-A	Distinctive	23
48" x 48"	R-8742	Adirondack	16	40"	R-8827-A1	Adirondack	16	62"	R-8929	Parkway	15
48" x 48"	R-8721-A	Distinctive	20	42"	R-8829	Adirondack	16	64"	R-8937	Distinctive	24
48" x 48"	R-8750	Distinctive	20	48"	R-8832-A	Boulevard	6	72"	R-8939	Avenue	9
48" x 48"	R-8752-2	Distinctive	20	48"	R-8874	Greenwich	12	72"	R-8931-1	Parkway	15
48" x 48"	R-8730	Distinctive	20	50"	R-8847	Parkway	14	<b>OTHER</b>			
48" x 48"	R-8724-A	Distinctive	21	50"	R-8833	Adirondack	16	Custom Castings			32
48" x 48"	R-8759	Distinctive	20	54"	R-8855-2	Parkway	14	Tree Guards			33
48" x 48"	R-8768	Distinctive	22	54"	R-9001	Retrofit	27				
48" x 48"	R-8770	Distinctive	22	55.25"	R-8872	Avenue	8				
52" x 52"	R-9002	Retrofit	26	56"	R-8849	Parkway	14				
54" x 54"	R-9101-A	Retrofit	26	56"	R-8843	Capitol	18				
60" x 60"	R-8707	Metropolitan	4	58.5"	R-8843-A	Capitol	18				
60" x 60"	R-8713	Boulevard	6	60"	R-8870	Metropolitan	4				
60" x 60"	R-8712	Avenue	8								



# REFERENCE GUIDE (BY CAT#)

Items highlighted in blue do NOT have expandable tree openings

CAT#	PAGE	CAT#	PAGE	CAT#	PAGE
R-8700	20	R-8786-B	13	R-8869-A	23
R-8702-A	20	<b>R-8787</b>	<b>25</b>	R-8870	4
R-8704	8	R-8788	10	R-8871	19
R-8704-A	8	R-8802-A	14	R-8872	8
R-8706-1A	4	R-8806-1A	14	<b>R-8874</b>	<b>12</b>
R-8707	4	R-8808	14	R-8876	8
R-8708	6	R-8809	4	R-8880-A	4
R-8709-A	4	R-8810	8	R-8881	8
R-8710	8	R-8811	6	R-8883	4
R-8711	7	R-8811-A	7	R-8884	4
R-8712	8	R-8812	14	R-8884-A	5
R-8713	6	R-8813	7	R-8927	18
R-8714-A	23	R-8814-A	6	R-8929	15
R-8715	8	R-8815	5	R-8931-1	15
R-8716	6	R-8815-1	4	R-8933-A	23
R-8717	19	R-8815-A	4	R-8937	24
R-8717-A	19	R-8815-B	4	R-8939	9
R-8718	19	R-8815-B4	5	R-8950	17
R-8718-A	19	R-8816	7	R-8952	24
R-8719	19	R-8817	5	R-8953	21
R-8721-A	20	<b>R-8819</b>	<b>12</b>	R-8955	17
<b>R-8724-A</b>	<b>21</b>	<b>R-8820</b>	<b>21</b>	R-8965	5
R-8726	14	R-8822	13	R-9001	27
R-8728-A	14	R-8823	5	R-9002	26
<b>R-8730</b>	<b>20</b>	R-8824	5	R-9002-A	26
R-8734	14	<b>R-8825</b>	<b>23</b>	R-9003	26
<b>R-8737-B</b>	<b>21</b>	<b>R-8826</b>	<b>25</b>	R-9004-1	26
<b>R-8737-C</b>	<b>21</b>	R-8827	16	<b>R-9005</b>	<b>26</b>
R-8738-2	14	R-8827-A1	16	R-9101	26
R-8738-A2	14	R-8828	11	R-9101-A	26
R-8740-1	14	R-8829	16	R-9105	27
R-8742	16	R-8830-A1	4	R-9106	27
R-8742-A	16	R-8832-A	6	R-9107	27
R-8746-A	16	R-8833	16	R-9108	27
<b>R-8750</b>	<b>20</b>	R-8834	4		
R-8752-2	20	R-8835	4		
R-8752-A	20	R-8836	5		
R-8752-B	20	R-8837-A	16		
<b>R-8754-1</b>	<b>12</b>	R-8838-A	6		
<b>R-8757</b>	<b>12</b>	R-8839	18		
<b>R-8759</b>	<b>20</b>	R-8843	18		
<b>R-8760</b>	<b>22</b>	R-8843-A	18		
<b>R-8762</b>	<b>22</b>	R-8847	14		
<b>R-8762-A</b>	<b>22</b>	R-8849	14		
R-8766	24	R-8850	10		
<b>R-8768</b>	<b>22</b>	R-8851	14		
<b>R-8770</b>	<b>22</b>	R-8852	10		
R-8775	10	R-8855-1	14		
R-8781	10	R-8855-2	14		
R-8784	4	R-8857	18		
<b>R-8785</b>	<b>13</b>	R-8860	16		
R-8786	13	R-8861	18		



REFERENCE GUIDE BY CAT#

FOR A LIST OF OUR REGIONAL SALES OFFICES  
AND DISTRIBUTION CENTERS:

Please visit our website at:

[www.neenahfoundry.com](http://www.neenahfoundry.com)





MADE IN USA

BUY AMERICAN



The American Recovery and Reinvestment Act (ARRA) of 2009 was enacted to stimulate the economy by incentivizing the use of American-made products. By choosing Neenah cast iron products, not only are you getting the quality and durability you need while supporting American jobs, you could also qualify for federal funding on your project.

GO GREEN



In support of the Green Initiative, Neenah Foundry is pleased to report that our products contain a minimum of 85% recycled content in the form of a minimum of 35% consumer-generated scrap metal and minimum of 50% industrial-generated scrap metal.

Neenah Foundry Company  
Box 729, Neenah, Wisconsin 54957-0729  
Phone: 800-558-5075 // 920-725-7000  
Fax: 920-729-3661  
Web: [www.neenahfoundry.com](http://www.neenahfoundry.com)



These products are to be specified and used under the guidance of qualified design professionals.